

RESERVA 450 WALL HUNG BASIN

Cat. No
4-34X



Faucet not included



Mounting hardware

W: 17-³/₄"
D: 16-¹/₈"
H: 6-¹/₂"

Back of basin to center of faucet: 2"
Back of basin to center of drain: 6-¹/₂"

Interior Dimensions:

Basin interior: 16-¹/₄" x 15-¹/₂"
Basin depth: 6-¹/₄"
Mount holes cc: 7"

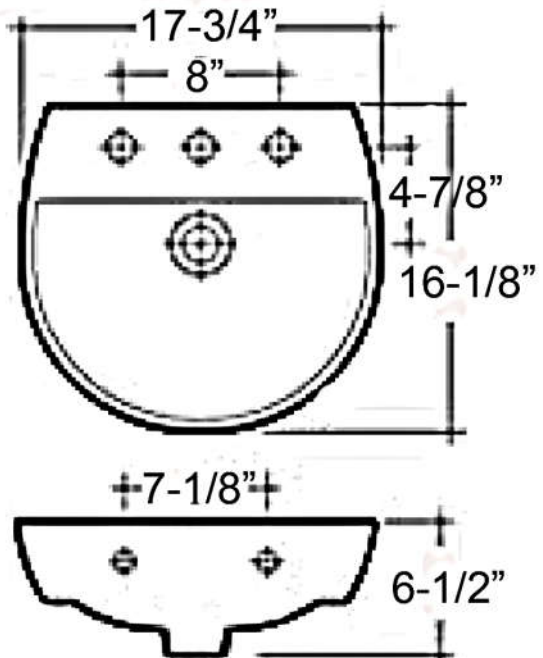
Features:

- ▶ Wall hung installation
- ▶ Made of Vitreous China
- ▶ Pre-drilled overflow hole
- ▶ Available with 1-hole (4-341) or 8" widespread (4-348)
- ▶ Mounting hardware included

Colors:

WH White

Meets or exceeds the following specifications: ASME A112.19.2 2013 and CSA B45.1-13 for ceramic plumbing fixtures.



Dimensions of fixture are nominal and may vary within the range of tolerances established by ASME Standard A112.19.2-2013. Dimensions and specifications subject to change without notice.