

# 24" CALI CONSOLE WITH BRASS STAND

Cat. No  
749WH, 750WH, 758WH



W: 24-1/2"  
D: 19-1/4"  
H: 37"



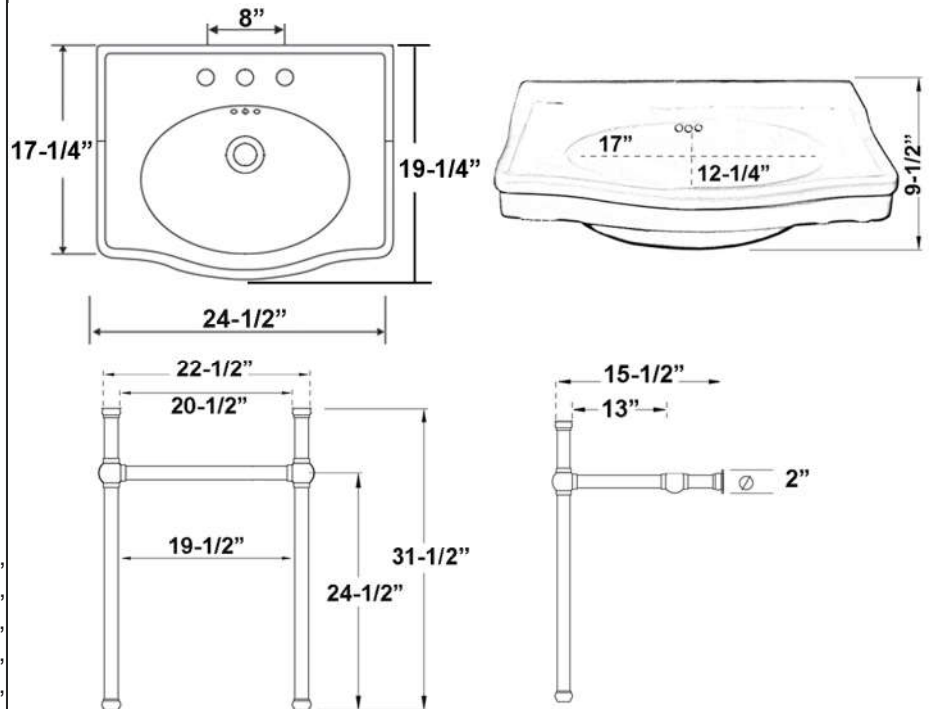
Mounting hardware T801A

## Features:

- ▶ Basin is vitreous china
- ▶ Stand is made of 1" brass tubing
- ▶ Pre-drilled overflow
- ▶ Pre-drilled for single hole (749WH), 4" centerset (758WH) or 8" widespread faucet (750WH)
- ▶ Rim thickness 9-1/2"
- ▶ Accommodates 1-1/2" drain
- ▶ Stand is available in 5 finishes
- ▶ Mounting hardware included

## Colors:

**BN** Brushed Nickel  
**CP** Polished Chrome  
**PN** Polished Nickel  
**PB** Polished Brass  
**ORB** Oil Rubbed Bronze



## Interior Dimensions:

Basin Interior:	17" X 12-1/4"
Water Depth to OF:	5-7/8"
Faucet and Spout Hole:	1-1/2"
Sink Maximum Mount Bolts Height:	31-1/2"
Mount Bolt Height for Stand:	24-1/2"

Dimensions of fixture are nominal and may vary within the range of tolerances established.