

NOKORI 7131

71" x 31" x 24" (FREESTANDING)

Nokori's sleek and delicate lines inspire peace and calm-offering an authentic invitation to unwind.



PRODUCT NO.

MODEL	TMU	TUB
Freestanding	BNOSRF00T-XX	BNOSRF00N-XX

THERMOMASSEUR (TMU) Hydro-thermo massage • Air jet system	\$10,485
Jets	42
1 heated backrest	Included
MiaPlus® Control* (not installed)	Included
BU-Touch Control Application BUTOUCH	\$430
Geysair®	Included
AromaCloud®	N/A
AromaFlow**** BAROMAF NEW	\$950
Illuzio Chromatherapy BCHRO6	\$925
2 nd heated backrest (WTS-1 zone) BSHB	\$1,125

TUB Soaker	\$8,015
AromaCloud®	N/A
AromaFlow**** BAROMAF NEW	\$950
Illuzio Chromatherapy BCHRO6	\$925
WarmTouchShell® BWTS	\$1,125
DOT control (not installed)	Included with therapy
2 nd WarmTouchShell® BWTS2	\$370

FEATURES

Installation type	Freestanding		
No. of bathers		Imp. gallons	59
US gallons	71	Brass waste kit	Included

INTEGRATED WASTE & OVERFLOW BOVERINI-XX	Installed & Included
White 01 , Chrome 07 , Brushed Nickel 09 , Polished Nickel 10 , Matte White with UltraVelour finish 32	

STANDARD COLOR	Included
White 01	

OPTIONS (UPCHARGE APPLICABLE)

FINISH	
UltraVelour Matte Finish (white only) BVEL2	\$850
UNIVERSAL ARMRESTS BGBGU-XX	
White 01	\$750
TILE FLANGE (specify position)	
Ordered with bath (not installed) BTILEN	\$79
Factory-installed. Right BTILER , Left BTILEL , Front BTILEF , Back BTILEB , Special installation BTILEO	\$155
INTEGRATED WASTE & OVERFLOW BOVERINI-XX	
Matte Black 19 , Satin Brass 18	\$120
AIR INTAKE** & ISLAND TUB DRAIN™***	
Air intake & Island Tub Drain™ BAIRISLD	\$350
Island Tub Drain™ BISLDD	\$260
Cast Iron Island Tub Drain™ BISLDDCI	\$310
Air intake BAIRINT	\$120
Air intake installation	\$285 net
IF REQUIRED BY CONSTRUCTION CODE	
Brass waste & overflow kit BDRCOB	\$240

Don't forget that this model is available in **White only**. If turbine is installed under the bath, please follow the installation instructions specified in the **Nokori Installation Manual**.
 * Control must be wall-mounted. Faucets must be freestanding or wall-mounted.
 ** Air Intake is required if turbine is installed under the bath.
 *** An Island Tub Drain™ is required when there is no access under the bath.
 **** When ordering an AromaFlow, an Integrated waste & overflow is mandatory (Included). Specify the finish of the waste.

FOR THE INSTALLER

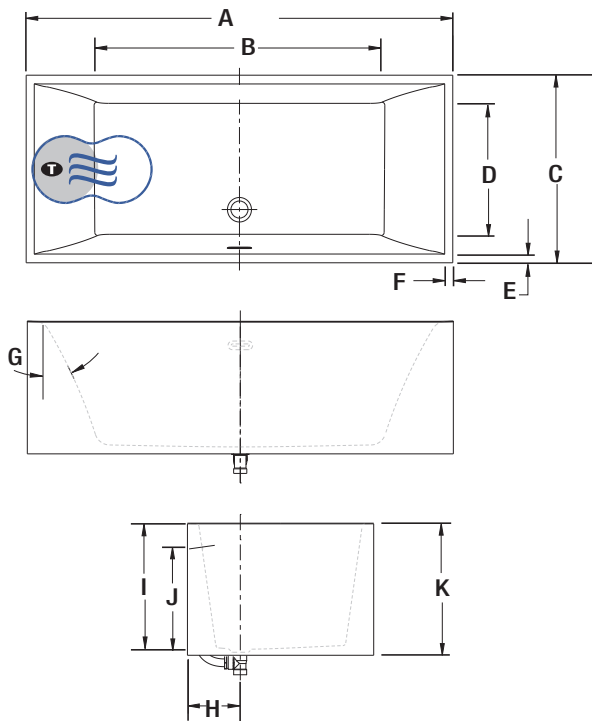
SCAN TO VIEW INSTALLATION VIDEO (3:20 MIN)



NOKORI 7131 (FREESTANDING)

AromaFlow

INSTALLATION



LETTER	DESCRIPTION	MEASURE
A	Total length	70 1/2"
B	Bathing well length	48 1/8"
C	Total width	31"
D	Bathing well width	22"
E	Deck width	1 7/8"
F	Deck width at backrest ends	1 3/8"
G	Slope of backrests	24°
H	Outside edge to center of drain	8 3/4"
I	Height from bottom of drain to top of deck	21"
J	Maximum water level Maximum water level with AromaFlow	17" 16 1/2"
K	Total height	24"

- Turbine position (TMU)
- Indicates heated backrest (TMU)
- Indicates WarmTouchShell® position (TUB)

TECHNICAL SPECIFICATIONS

Hot water supply required	The hot water supply should be 70% or more of the bath's total water capacity.
Turbine	Access to the pump must be at least 18" x 22". Standard connection is 20 A, 120 V, 60 Hz, dedicated line with a Ground-Fault Circuit Interrupter (GFCI). For any additional option, a second line is needed 15 A, 120 V, 60 Hz, dedicated line with a GFCI. Air vent necessary: 8 sq. in. minimum.
Others	<ul style="list-style-type: none"> - The Geysair® is located on the same side as the heated backrest. It must NOT be relocated. It must be connected to the hot water supply and be accessible (provide access). - Faucet must be freestanding or wall-mounted. - Controls cannot be installed on the bath. - The turbine should be remotely installed. - The turbine can also be installed under the bath. Please refer to the Nokori Installation Instructions. - The water level will be lower when an AromaFlow is installed.

Our products must be installed by certified professionals only and according to our Owner's Manual as well as federal, provincial/state and local building codes and regulations (www.bainultra.com/dealers/dealer-documentation-and-catalog).

The specifications shown indicate the outer edge dimension and the inside bathing capacity dimension measured at air jets' height. The manufacturer accepts a 1/4" [0.64 cm] variance. There are variations on each product and specifications are subject to change as we improve upon our product as required. The dimensions needed for site preparation and structure building will differ. BainUltra® assumes no responsibility for preparatory work done prior to the product being on site.

Approx. shipping weight	280 lb
Turbine power	550 W
Air heater	600 W
WARRANTY	
Controls-LED-Geysair*	5 years
Bath & turbine*	20 years

* Some restrictions apply | www.bainultra.com/warranty