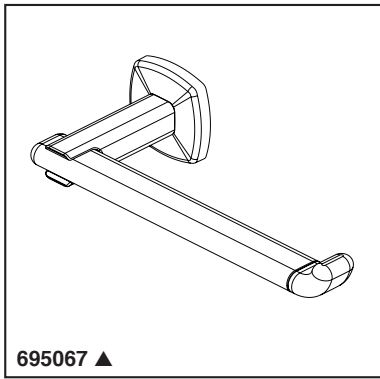


BRIZO®

ACCESSORIES

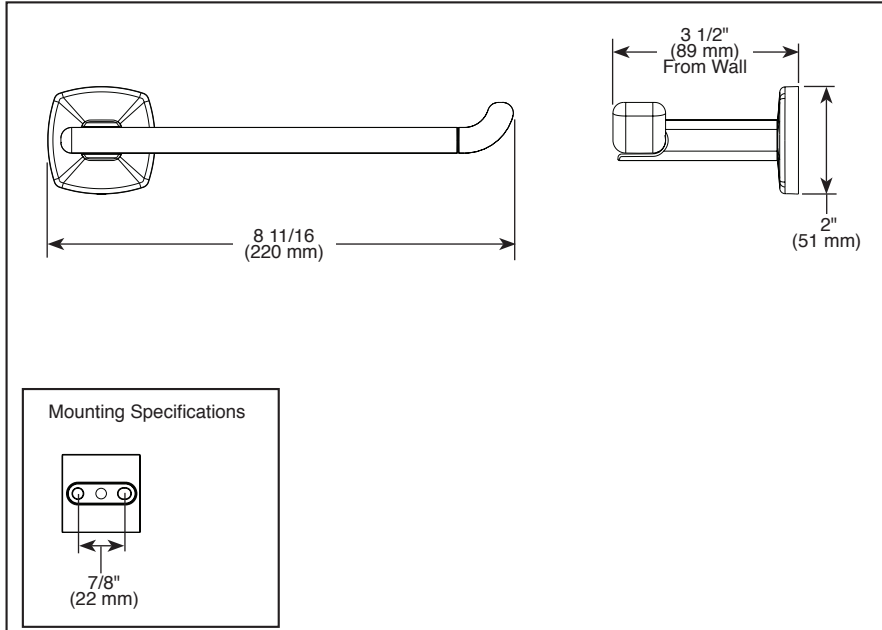
- Rook™ Collection
- Tissue Holder



695067 ▲

Submitted Model No.: _____

Specific Features: _____

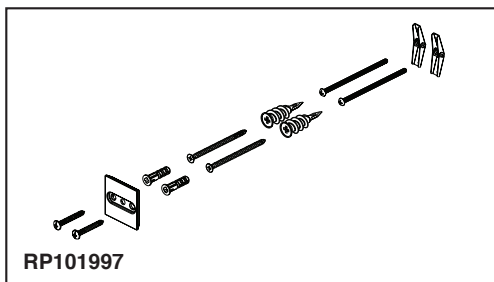


STANDARD SPECIFICATIONS:

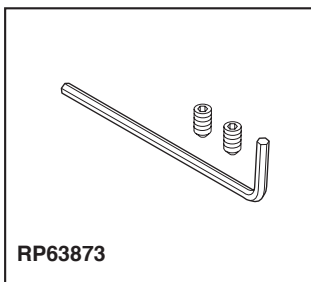
- Wood blocking is preferable behind all wall surfaces. If wood blocking is not available, try finding a wood stud to anchor this accessory.
- Mounting hardware and mounting instructions included with product.
- Note: Plastic anchors, screw, toggle bolts, and mounting brackets are included with the mounting hardware.
- All metal construction
- Can be adapted for right, left or vertical installation

WARRANTY

- Parts and Finish - Lifetime limited warranty; or for commercial purchasers, 10 years for multi-family residential (apartments and condominiums) and 5 years for all other commercial uses, in each case from the date of purchase.
- Electronic Parts and Batteries (if applicable) - 5 years from the date of purchase; or for commercial purchasers, 1 year from the date of purchase. No warranty is provided on batteries.



RP101997



RP63873

▲ Designate proper finish suffix