



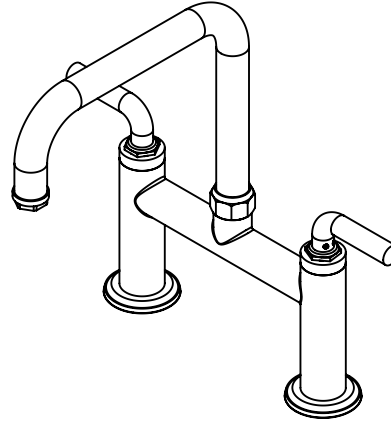
Features

- 25+ artisanal finishes including 12 PVD finishes
- All brass construction
- Spout rotates 360°
- 2-hole deck mount installation
- Flexible braided hoses for ease of installation
- 1/4 turn ceramic disc cartridge(s)
- 1.8 gpm (6.8 L/min) max flow rate

Codes/Standards Applicable

Product meets or exceeds the following:

- ASME A112.18.1/CSA B125.1
- NSF 61, NSF 372, CEC & DOE
- Commonwealth of MA
- ADA compliant (with lever handles)

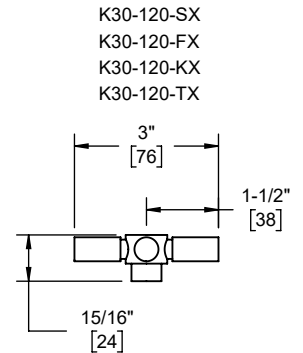
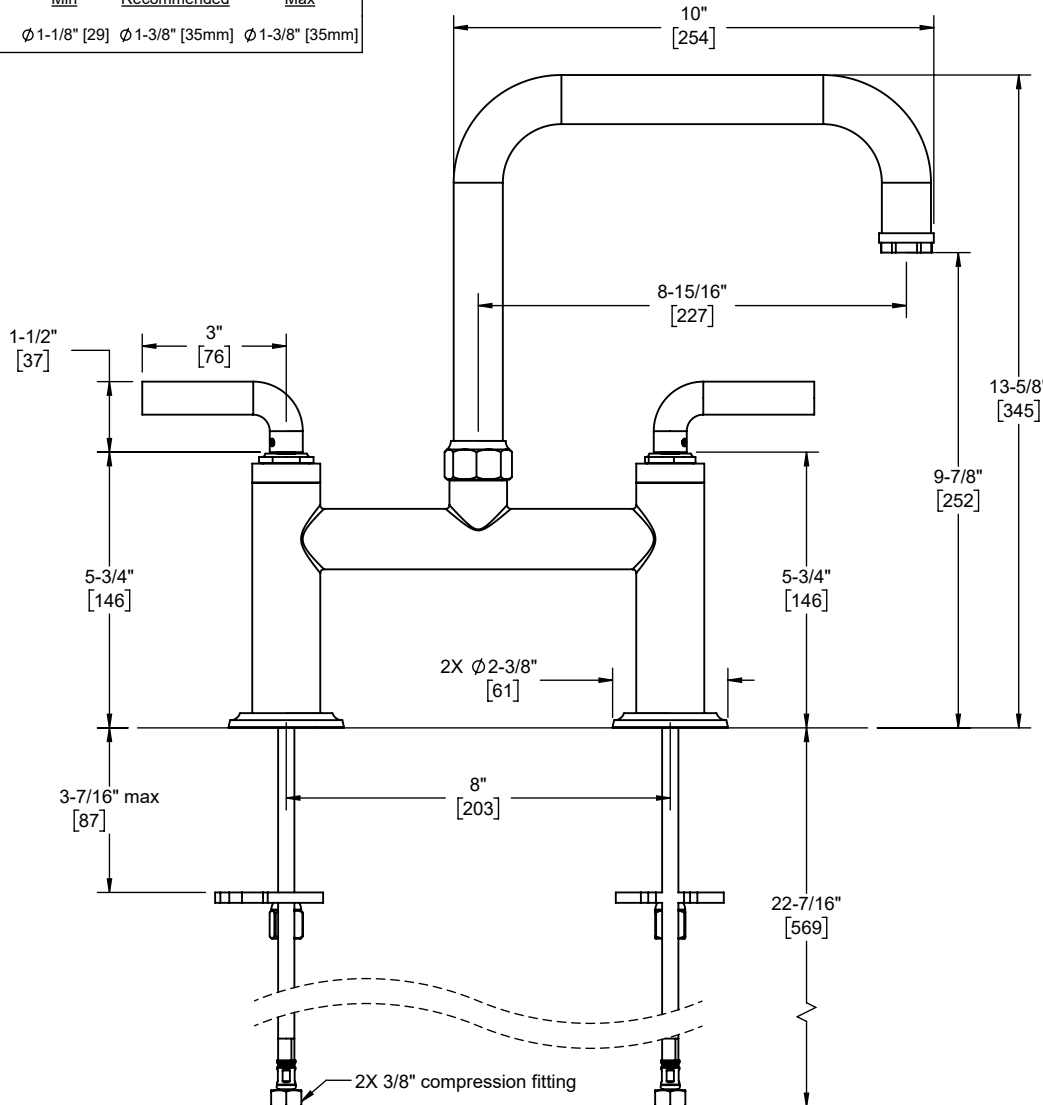


K30-123-SL-ZZ shown

- K30-123-SL
- K30-123-FL
- K30-123-KL
- K30-123-TL
- K30-123-SX
- K30-123-FX
- K30-123-KX
- K30-123-TX



Through-Hole Specifications		
Min	Recommended	Max
Faucet: \varnothing 1-1/8" [29]	\varnothing 1-3/8" [35mm]	\varnothing 1-3/8" [35mm]



- K30-120-SX
- K30-120-FX
- K30-120-KX
- K30-120-TX