

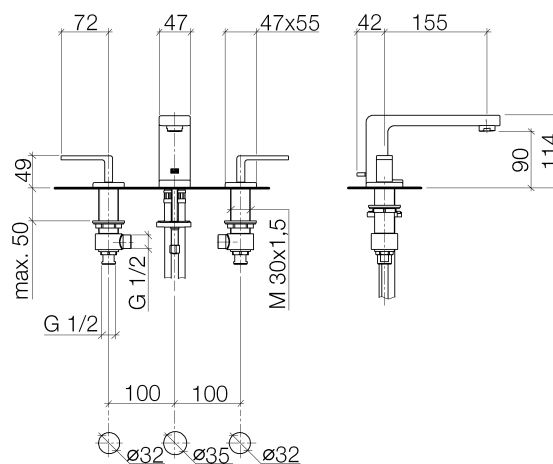


### Product specifications

#### • 6-1/8" Projection

- Fixed spout
- US drain with overflow
- Round aerated stream
- Total height 4-1/2"
- Height to aerator/spout outlet 3-1/2"
- Valve hole diameter 1-1/4"
- Spout hole diameter 1-3/8"
- Flange 1-7/8" x 2-1/8"
- Water flow rate limited to max. 1.2 gpm
- low lead compliant

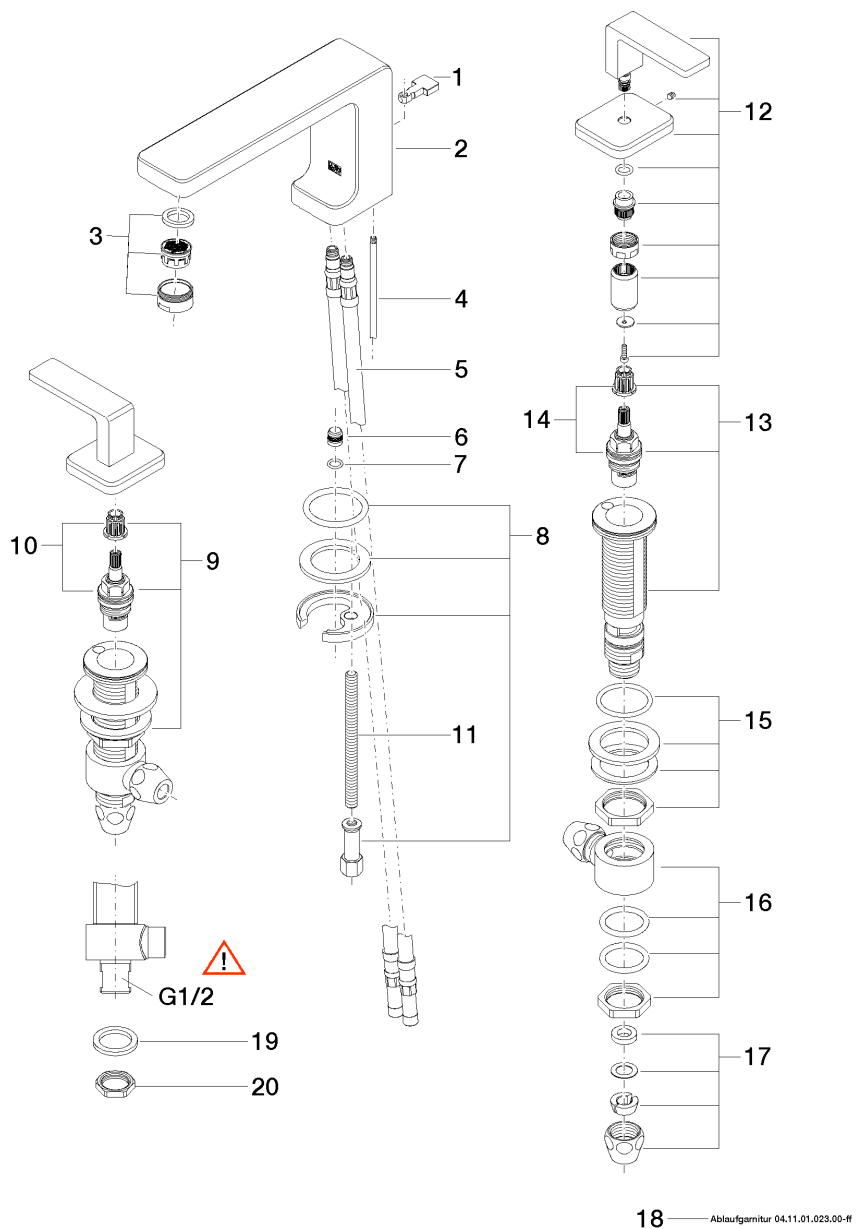
**(ADA)**



### Surfaces

- chrome 20713710-000010
- matt platinum 20713710-060010

**Exploded assembly drawing**



**Order quantity**

<b>No.</b>	<b>Article number</b>	<b>Name</b>	<b>Installation quantity</b>
1	092071033ff	handle	1
2	09117109510ff	spout	1
3	90230111804ff	aerator	1
4	093109080ff	pull-rod	1
5	0430040180090	hose	2
6	09312005290	plug	1
7	09141006190	seal	1
8	0430110387590	fixing set	1
9	0417110455390	side panel	1
10	9090031530090	top	1
11	09311101290	pin	1
12	90207104601ff	handle	2
13	0417110455290	side panel	1
14	9090031520090	top	1
15	0423100327890	fixing set	2
16	0417110231090	distributor	2
17	04233004000ff	threaded connector	2
18	04110102300ff	pop-up waste	1
19	09301105990	disc	1
20	09231001290	nut	1

Bath & Spa

**LULU Three-hole lavatory mixer with drain**

Article number: 20713710ff0010

