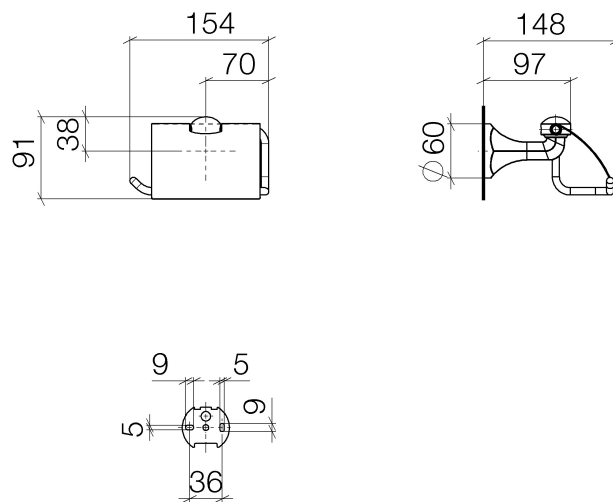
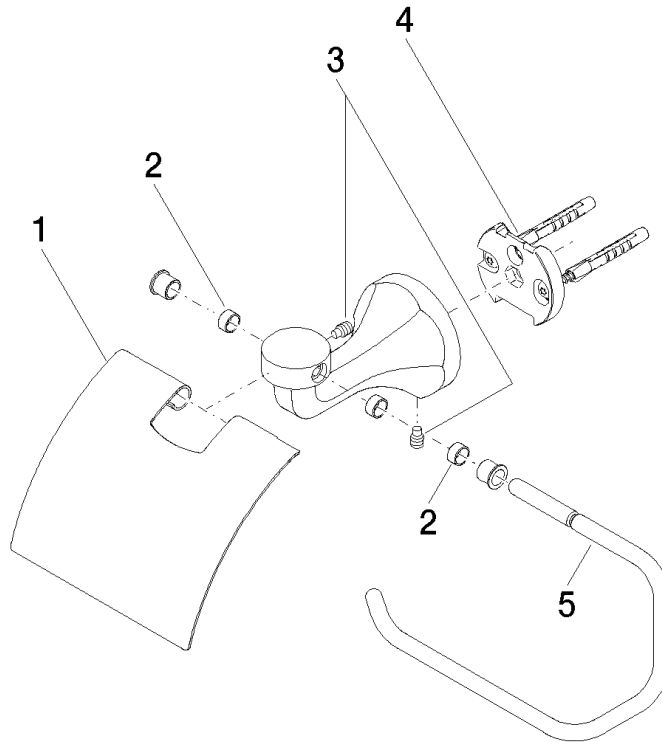


Madison Madison Flair Accessories Tissue holder with cover

Article number: 83510361



Exploded assembly drawing



Madison Madison Flair Accessories Tissue holder with cover

Article number: 83510361



Order quantity

No.	Article number	Name	Installation quantity
1	081102508ff	lid	1
2	08184050590	sleeve	2
3	0431111400090	pin	2
4	0517975070090	fixing set	1
5	081870501ff	bow	1