

Contour Seat - 18"

Comfort & Security - Teakwood & Walnut Shower Seats
With durable stainless steel frames

LL-- Series

Contour
Shower Seat
18"

Application Use:

Architectural

Commercial

Institutional

Residential

Specifications

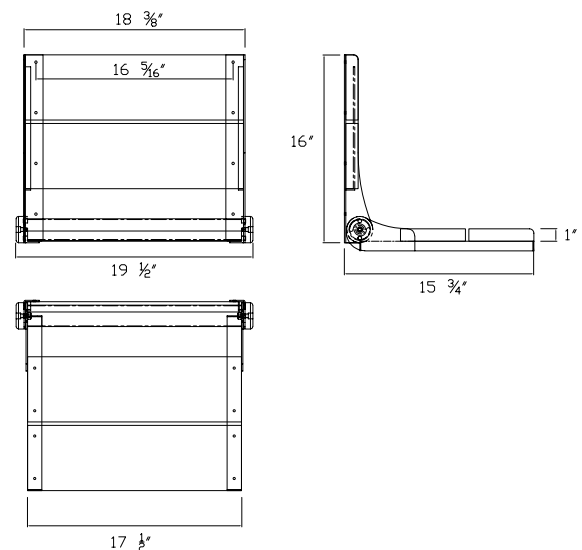
The contour shower seat is manufactured using high quality 12 gauge 304 stainless steel. The all stainless steel barrel of the seat allows the bottom to fold up and sit flat against the wall when not in use. 1" thick teak or walnut wood slats are durable and easy to keep clean. The two upper slats are removable to access the 8 wall mounting screw ports. The installation of the contour seat is simple, easy, and quick. It is imperative when installing any shower seat to consult with a qualified contractor to insure you have the sufficient backing to support the seat



The Life Line Collection

The Contour shower seats are designed and tested to exceed 500lbs and come in both 18" and 26" wide versions.

LL-TK18PC	Teak Slats, Polished Chrome Frame
LL-WAL18PC	Walnut Slats, Polished Chrome Frame
LL-TK18SS	Teak Slats, Stainless Steel Frame
LL-WAL18SS	Walnut Slats, Stainless Steel Frame
LL-TK18BN	Teak Slats, Brushed Nickle Frame
LL-WAL18BN	Walnut Slats, Brushed Nickle Frame
LL-TK18WH	Teak Slats, White Frame
LL-WAL18WH	Walnut Slats, White Frame
LL-TK18ORB	Teak Slats, Oil Rubbed Bronze Frame
LL-WAL18ORB	Walnut Slats, Oil Rubbed Bronze Frame



Dimension tolerances +/- 3/16"