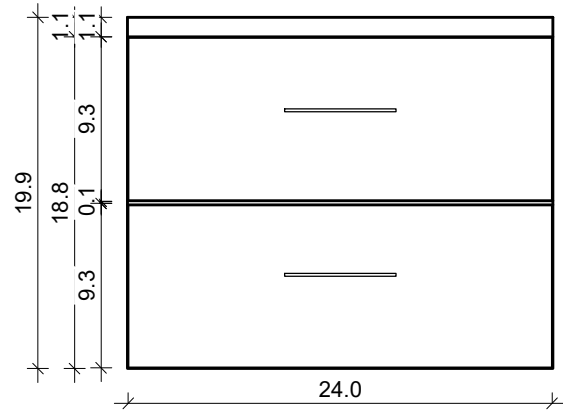
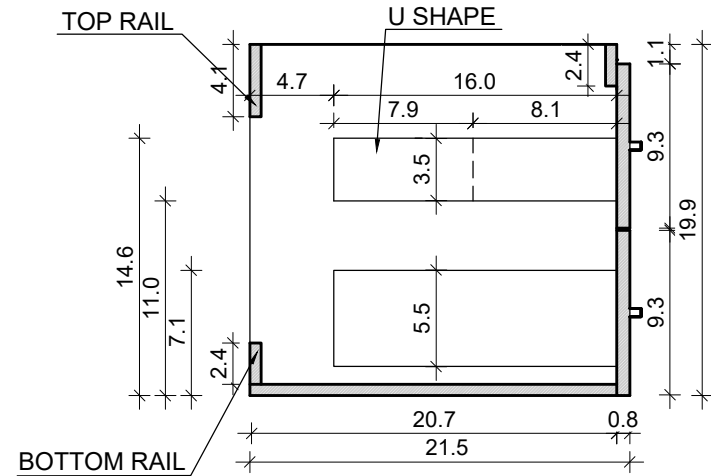


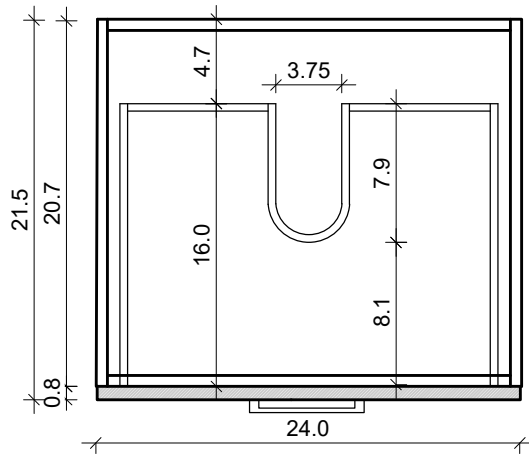
DAYTONA 2 STONE 24-02



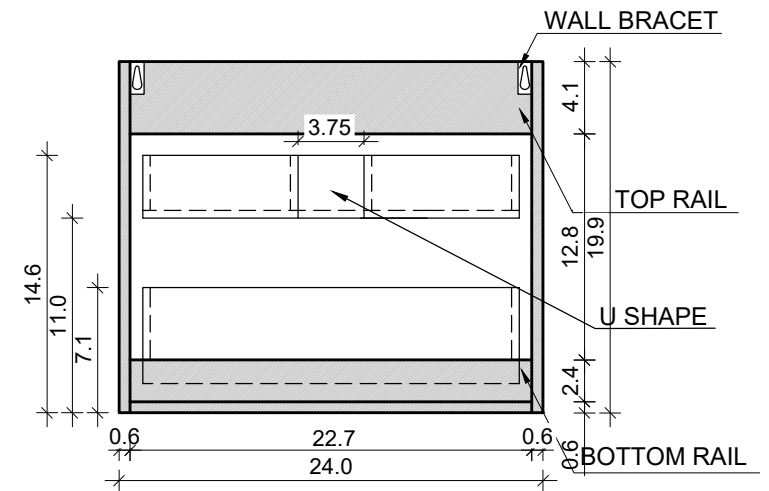
FRONT VIEW



SIDE VIEW



TOP VIEW



BACK VIEW