

**SPECIFICATIONS**


**Features/Benefits**

- 1.2 gpm (4.5 L/min) Max Flow @ 60 psi with Laminar Water Stream
- Alternative Flow Rates Available with Spray Water Stream
  - 1.0 gpm (3.8 L/min) When Used with DA613094N Aerator
  - 0.5 gpm (1.9 L/min) When Used with DA613093N Aerator
- 9 5/8" Spout Height, 3 5/8" Spout Reach
- Ceramic Disc Cartridge
- Includes 50/50 Touch-Down Drain Assembly
- Single Hole Mount
- Optional Deck Plate Included
- Optional Temperature Indicator Included



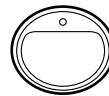
**Available Color/Finishes**

Color	Description
-------	-------------

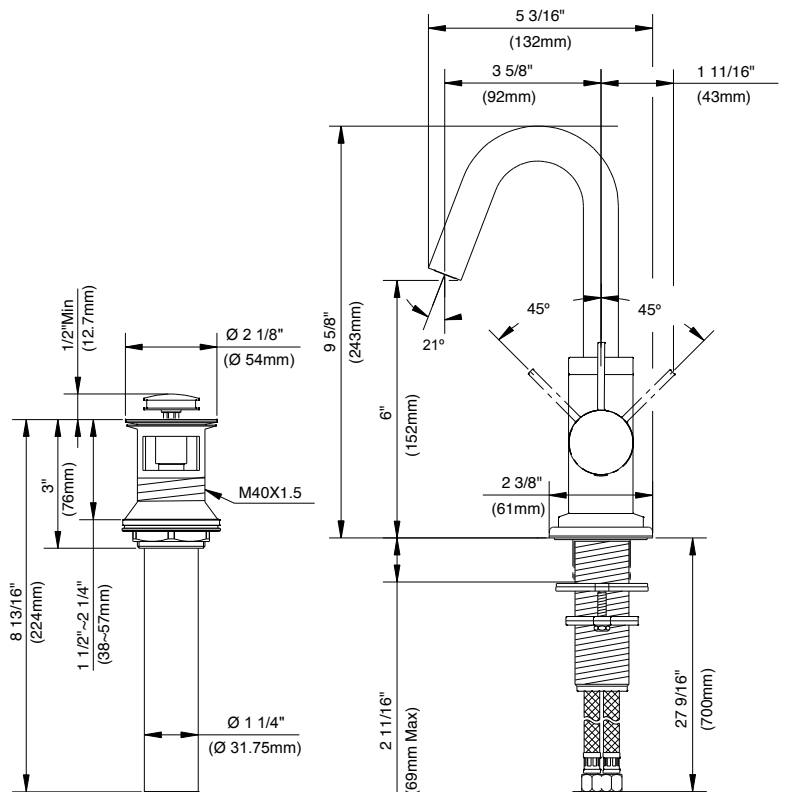
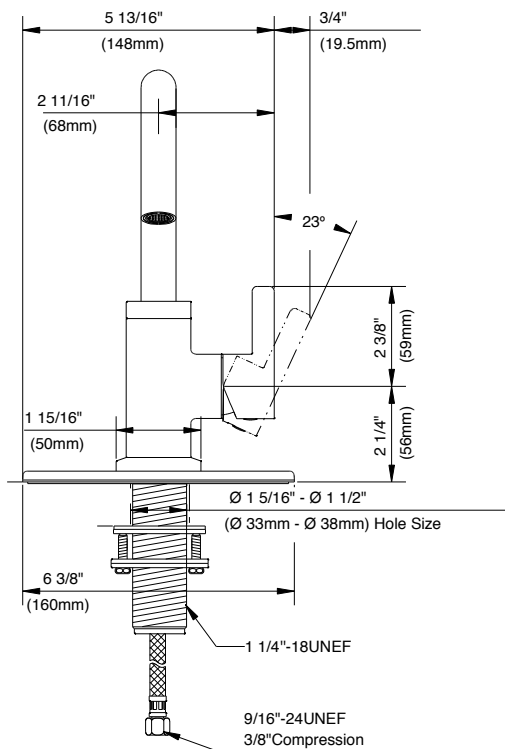
	Chrome
---	--------

Please see danze.com or current price list for available finishes.  
Finish is defined by additional suffix.

**Mount Type**



**Standards & Certifications**



**Submittal Information:**

Name: \_\_\_\_\_  
Location: \_\_\_\_\_

Contractor: \_\_\_\_\_  
Contact #: \_\_\_\_\_