

## 8" Wall Mount Tub Spout with Diverter

### SPECIFICATIONS



#### Features/Benefits

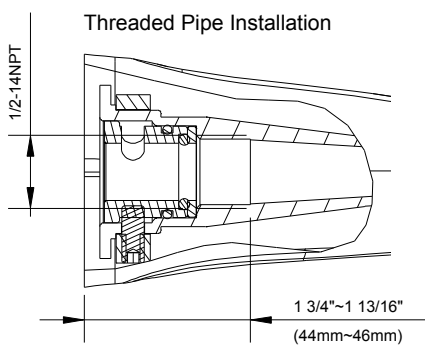
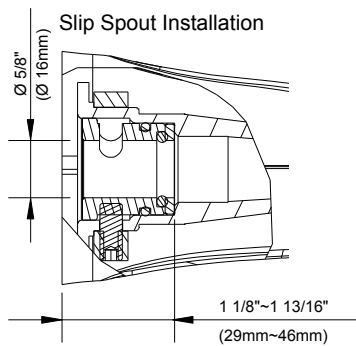
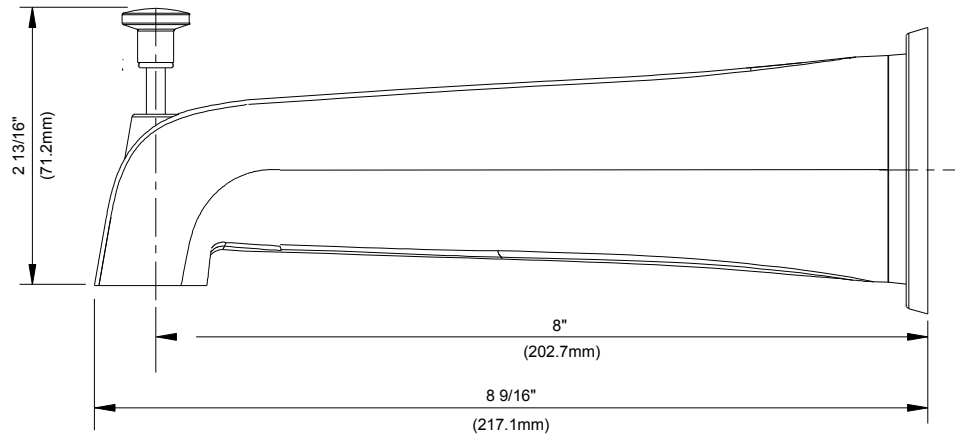
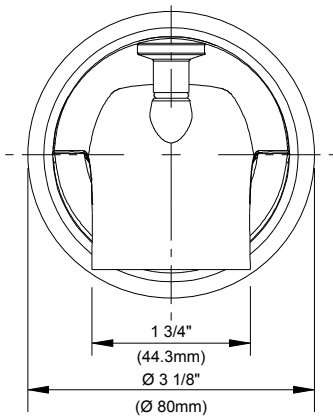
- Fits 1/2" Copper or 1/2" IPS Stub Out Nipple
- Diverter on Tub Spout
- 8 9/16" Spout Length
- All Metal Body

#### Available Color/Finishes

Color	Description
-------	-------------

	Chrome
---	--------

Please see [gerberonline.com](http://gerberonline.com) or current price list for available finishes. Finish is defined by additional suffix.



#### Submittal Information:

Name: \_\_\_\_\_

Contractor: \_\_\_\_\_

Location: \_\_\_\_\_

Contact #: \_\_\_\_\_