



# GERBER

## 40-010 Series Viper™ Single Handle Kitchen Faucet



### Features:

- 1 or 3 hole installation(40-010),  
2 or 3 hole installation(40-015)
- Deck plate GA607275 included
- Ceramic disc cartridge, G0092298, w/temp limit stop
- 1.75 gpm (6.6 L/min) max Aeration / 2.2 gpm (8.3L/min)  
max Spray @ 60psi
- Chrome or stainless steel finish
- Lead free waterway per NSF/ANSI 372
- Fully ADA compliant
- Limited lifetime warranty

### Standards & Certifications:

- ASME A112.18.1
- NSF/ANSI 372
- IAPMO/cUPC
- ICC/ANSI A117.1
- Mass Code

### Catalog Numbers:

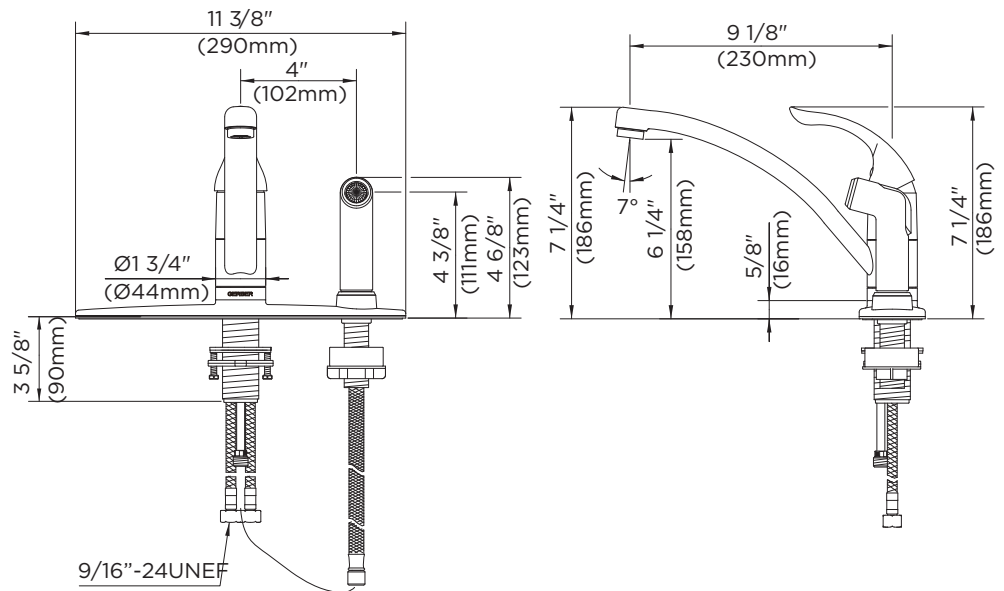
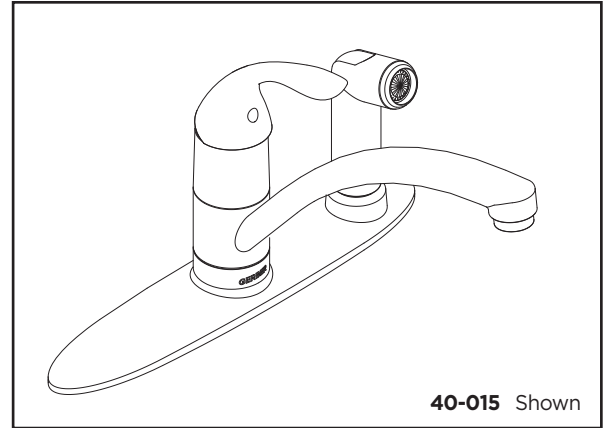
- 40-010** Less Spray, Chrome
- 40-010-SS** Less Spray,  
Stainless Steel
- 40-015** With Spray, Chrome
- 40-015-SS** With Spray,  
Stainless Steel

### Prefixes Available:

None

### Suffixes Available:

SS Stainless Steel



Job Name	
Date	
Model Specified	
Quantity	
Customer	
Contractor	
Architect/engineer	

Gerber Toll Free Technical Support: 1-888-648-6466  
www.gerberonline.com