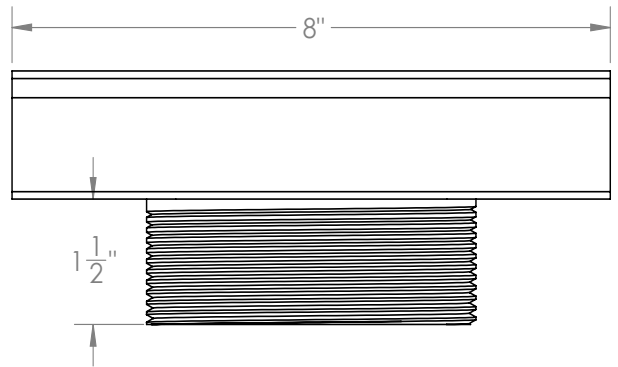
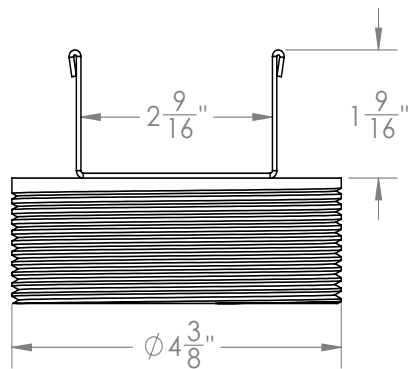
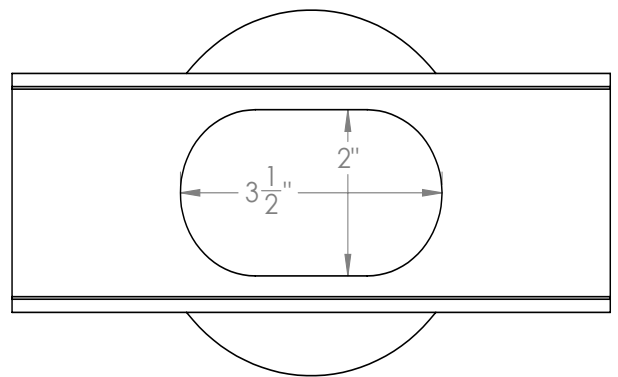
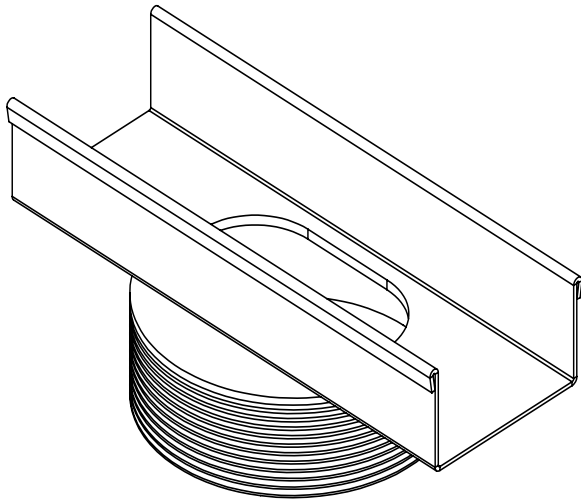


# HF 99 Specifications



- HF 99:**
- Outlet section (4" High flow)
  - 16 gauge 304L stainless steel
  - For HC 65 and TC 65 channels
  - NPS straight thread



**Infinity Drain**  
145 Dixon Avenue  
Amityville, NY 11701  
Phone: 516.767.6786  
Fax: 516.740.3066  
www.infinitydrain.com



NOTE: Installer must verify all rough-in dimensions prior to installation and consult local and national codes. Conformity and compliance to local and national codes are the responsibility of the installer.