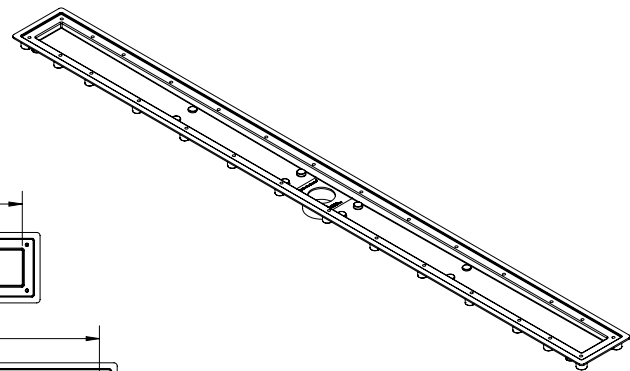
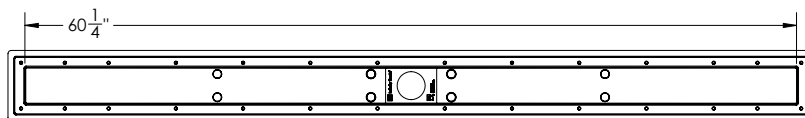
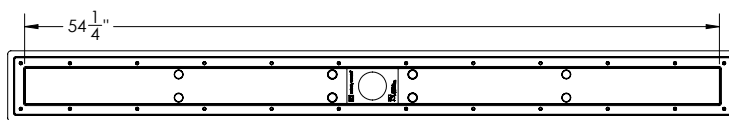
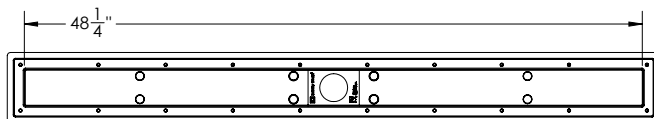
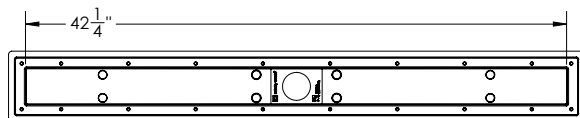
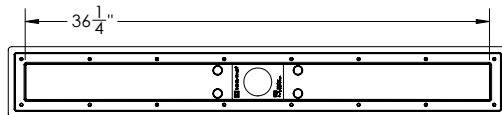
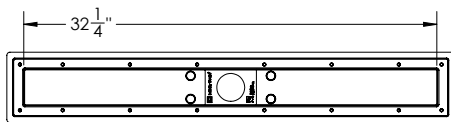
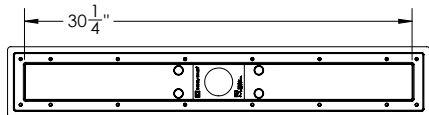
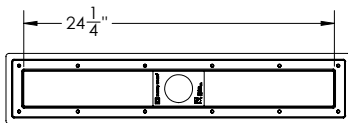
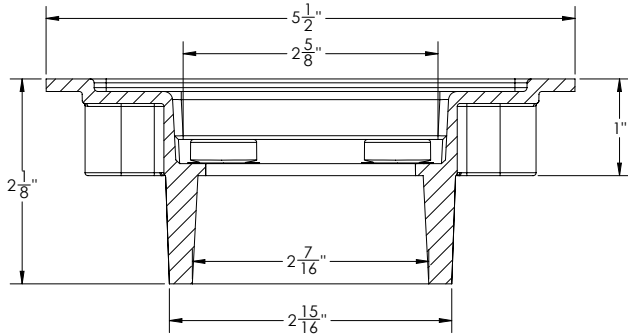


UC Specifications



UC:

- Universal Infinity Drain channel in PVC or ABS
- Compatible with traditional and liquid / fabric waterproofing
- Pre pitched, Fixed Length NOT Site Sizable™ with centered outlet
- Solvent Weld Outlet connection.

2" waste line can be connected directly **into** outlet
OR

3" waste line can be connected over **over** outlet

Models (overall dimensions):

- UC 6524: 27" L x 5 1/2" W x 2 1/8" H
- UC 6530: 33" L x 5 1/2" W x 2 1/8" H
- UC 6532: 35" L x 5 1/2" W x 2 1/8" H
- UC 6536: 39" L x 5 1/2" W x 2 1/8" H
- UC 6542: 45" L x 5 1/2" W x 2 1/8" H
- UC 6548: 51" L x 5 1/2" W x 2 1/8" H
- UC 6554: 57" L x 5 1/2" W x 2 1/8" H

Infinity Drain
145 Dixon Avenue
Amityville, NY 11701
Phone: 516.767.6786
Fax: 516.740.3066
www.infinitydrain.com



NOTE: Installer must verify all rough-in dimensions prior to installation and consult local and national codes. Conformity and compliance to local and national codes are the responsibility of the installer.