



**Features**

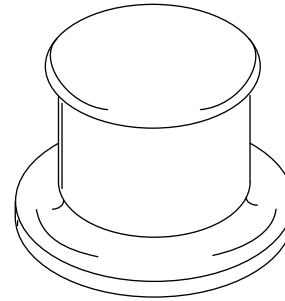
- Bath- or deck-mount
- Two-way brass diverter valve
- Diverter valve has backflow protection

**TWO-WAY DIVERTER VALVE  
K-9530**

**Codes/Standards Applicable**

Specified model meets or exceeds the following:

- ASSE 1014
- ASSE 1025
- ASME A112.18.1/CSA B125.1



**Colors/Finishes**

- CP: Polished Chrome
- PB: Vibrant® Polished Brass
- Other: Refer to Price Book for additional colors/finishes

**Specified Model**

Model	Description	<input type="checkbox"/>	<input type="checkbox"/>	<input type="checkbox"/>
K-9530	Two-way Diverter Valve	CP	PB	Other _____

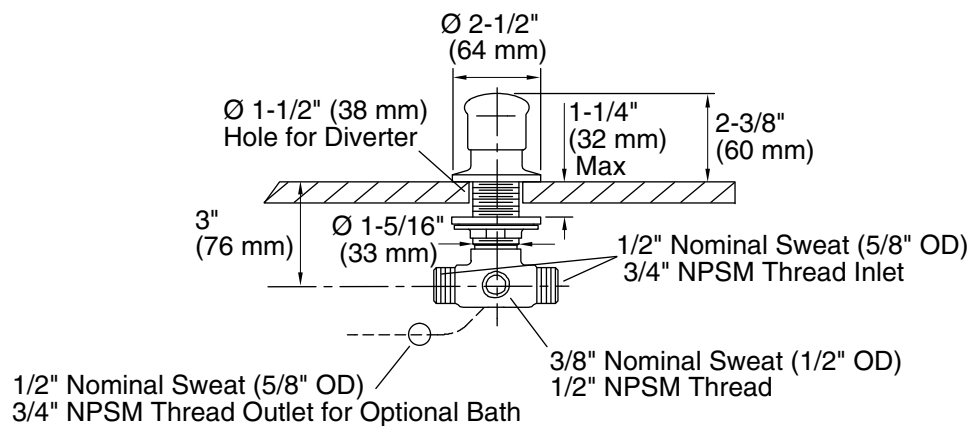
**Product Specification**

Two-way diverter valve shall be bath- or deck-mount. Diverter valve shall feature brass-construction. Diverter valve shall have backflow protection. Product shall be Kohler Model K-9530-\_\_\_\_\_.

## Installation Notes

Install this product according to the installation guide.

Diverter valve has backflow protection.



## Product Diagram