



Embra™ by Studio McGee

14" pendant
K-32259-PE01

Features

- Designed in collaboration with Studio McGee
- Globular glass shade extends from decorative chain in an elegant transitional design suited for any room
- Requires bulb with medium (E26) base; type A19 bulb recommended (sold separately)
- Suitable for damp locations, per UL 1598
- Includes installation hardware
- Coordinates with other products in the Embra collection

Material

- Premium metal and glass construction
- Manufactured with quality materials and complemented with a meticulous finishing process
- Durable finishes engineered to last and designed to coordinate with KOHLER faucet finishes



Codes/Standards

UL 1598
CSA C22.2 No. 250.0

KOHLER® Indoor Lighting Fixtures Limited Warranty

See website for detailed warranty information.

Available Colors/Finishes

Color tiles intended for reference only.

| Color | Code | Description |
|---|------|-----------------------|
|  | SNL | Polished Nickel |
|  | BNL | Brushed Nickel |
|  | CPL | Polished Chrome |
|  | BLL | Matte Black |
|  | 2GL | Brushed Moderne Brass |

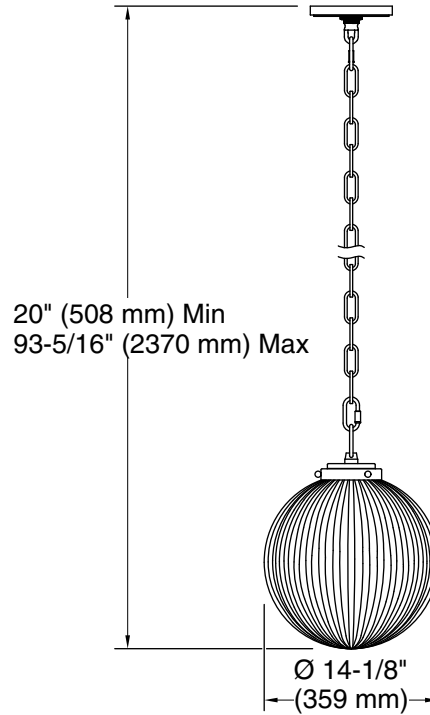
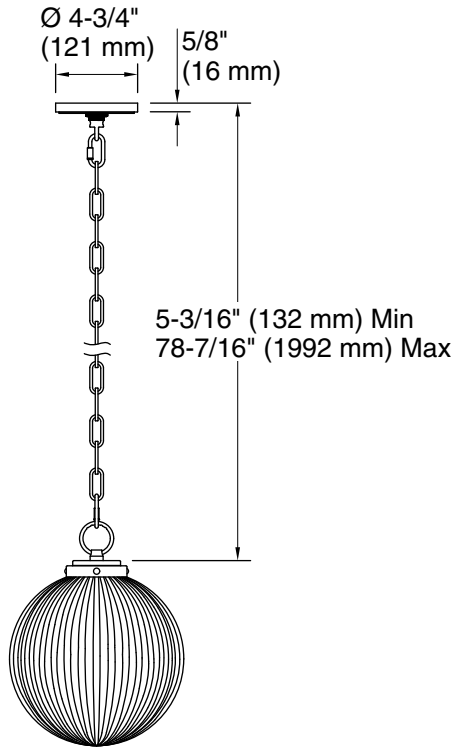
1-800-4KOHLER (1-800-456-4537)

Kohler Co. reserves the right to make revisions without notice to product specifications.

For the most current Specification Sheet, go to www.kohler.com.

9-21-2023 20:37 - US/CA

THE BOLD LOOK
OF **KOHLER**®



Required Electrical Service

One circuit required.

120 V, 60 Hz

Technical Information

All product dimensions are nominal.

| | |
|-------------------|-----------------------------------|
| Material: | Steel, Glass, Brass |
| Number of Lights: | 1 |
| Lighting Type: | Socket-based |
| Socket Type: | E-26 Medium |
| Number of Shades: | 1 |
| Shade Type: | Clear Glass |
| Hanging Type: | Chain |
| Height: | 20" (508 mm) - 93-5/16" (2369 mm) |

Notes

Install this product according to the installation instructions.