

### Features

- Advanced spray engine provides three alternate experiences: wide coverage, intense drenching, and targeted spray.
- Wide coverage spray produces an encompassing spray for everyday use.
- Intense drenching spray delivers a forceful spray ideal for rinsing shampoo from hair.
- Targeted spray is a focused stream for targeting sore muscles or use as a utility spray.
- Pause feature temporarily pauses water flow to conserve water while you lather, shave, or shampoo.
- Thumb tab allows for a smooth transition between sprays.
- MasterClean™ sprayface features an easy-to-clean surface that withstands mineral buildup.
- 2.5 gpm (9.5 lpm) maximum flow rate at 45 psi (3.1 bar).
- 24" (609 mm) slidebar features adjustable mounting brackets for installation flexibility.
- 60" (1524 mm) hose length.

### Material

- Durable material construction.
- KOHLER finishes resist corrosion and tarnishing.

### Installation

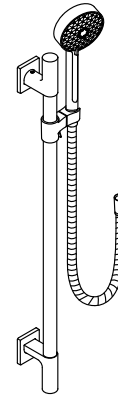
- Wall-mount.

### Recommended Products/Accessories

- K-30646 shower filter
- K-30647 shower filter replacement
- K-23723 Faucet cleaner

### Optional Products/Accessories

- K-98350 wall-mount supply elbow
- K-98351 wall-mount supply elbow with check valve



### Codes/Standards

ASME A112.18.1/CSA B125.1  
DOE - Energy Policy Act 1992

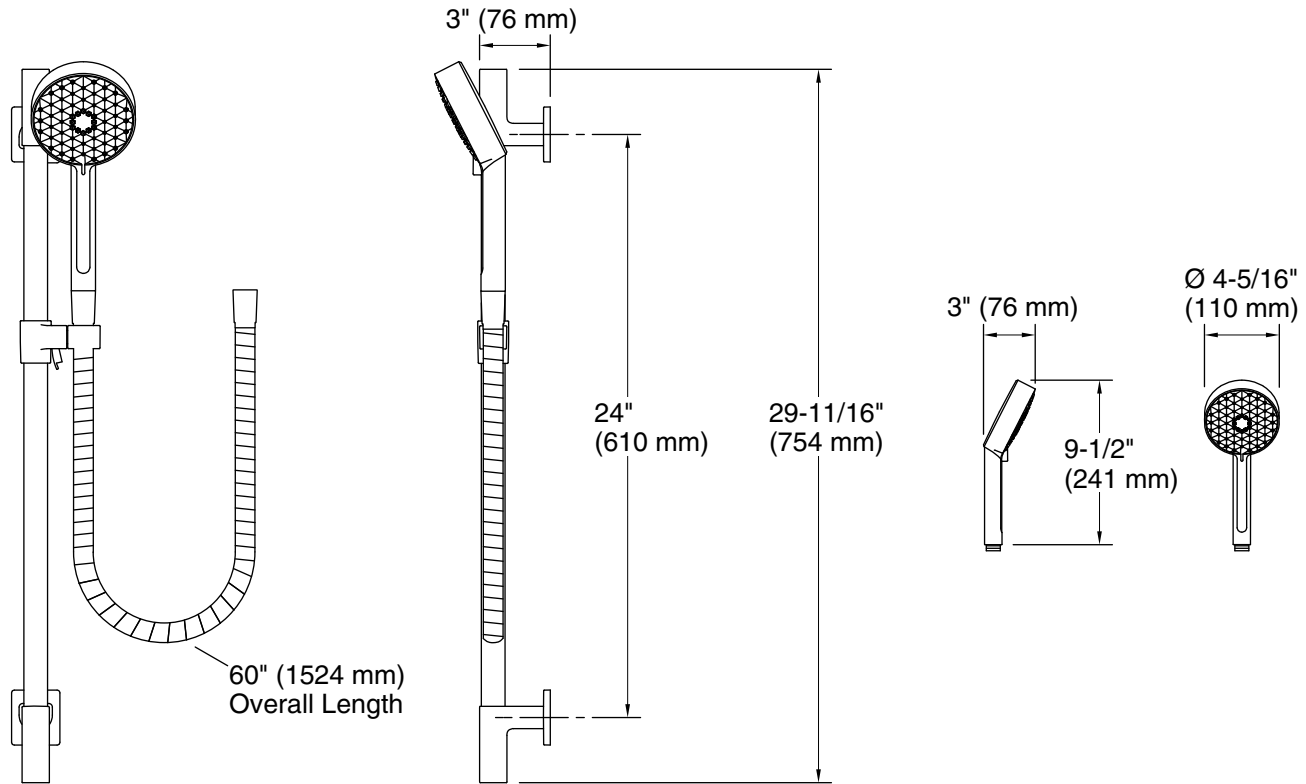
### KOHLER® Faucet Lifetime Limited Warranty

See website for detailed warranty information.

### Available Colors/Finishes

*Color tiles intended for reference only.*

Color	Code	Description
	CP	
	BN	
	2BZ	
	BL	
	2MB	



**Technical Information**

All product dimensions are nominal.

Drain included: No

**Handshower:**

Rated maximum flow: 2.5 gal/min (9.5 l/min)

Pressure: 45 psi (3.1 bar)

**Notes**

Install this product according to the installation instructions.

Plumbing codes require approved backflow prevention devices to be installed in-line to handshowers. Please consult with local plumbing officials.

Mount the slidebar to stud framing or install backing support. For tile or other solid finish surfaces: Pre-drill mounting holes through surface material only; do not drill into the stud. For drywall surface: No pre-drill is required.