

Features

- Includes push-button diverter.
- Includes faceplate with ADA-compliant metal cross handle.
- Single cross handle allows for simultaneous on/off activation and temperature setting.
- Trim only; requires K-11748-K or K-11748-KS Rite-Temp pressure-balancing valve with push-button diverter (sold separately)
- Coordinates with other products in the Artifacts collection.

Material

- Premium metal construction.
- KOHLER finishes resist corrosion and tarnishing.

Installation

- Wall-mount.

Required Products/Accessories

K-11748 Series Rite-Temp® Valves



ADA

Codes/Standards

ASME A112.18.1/CSA B125.1
ADA
ICC/ANSI A117.1

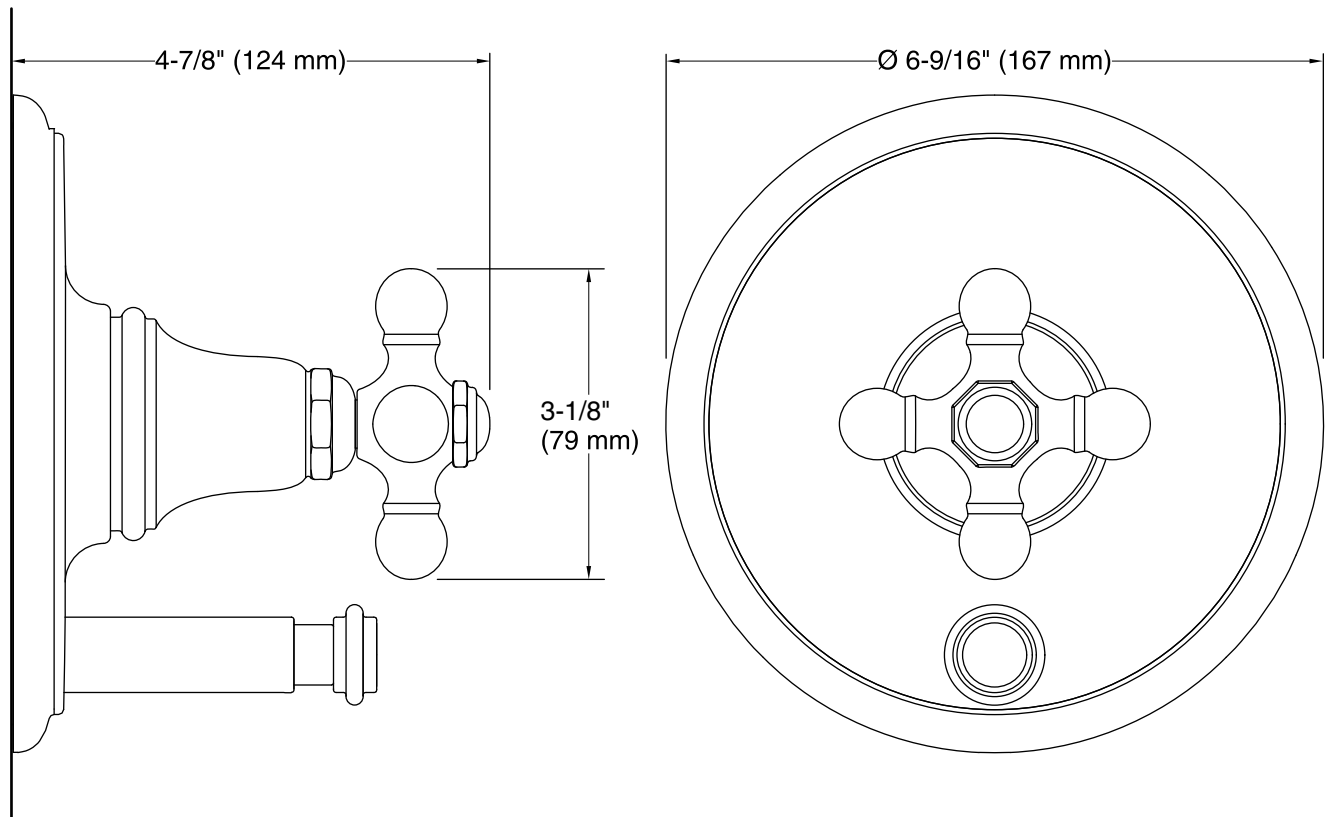
KOHLER® Faucet Lifetime Limited Warranty

See website for detailed warranty information.

Available Colors/Finishes

Color tiles intended for reference only.

Color	Code	Description
	CP	Polished Chrome
	SN	Vibrant® Polished Nickel
	BN	Vibrant® Brushed Nickel
	BV	Vibrant® Brushed Bronze
	2BZ	Oil-Rubbed Bronze
	VNT	Vintage Nickel



Technical Information

All product dimensions are nominal.

Drain included: No

Notes

Install this product according to the installation instructions.

ADA compliant when installed to the specific requirements of these regulations.