

Specifications:

Installation:	deck-mount 1-hole, touch-free
Exterior Dimensions:	H: 5 1/2" SPOUT: 3 5/8"
Material:	solid brass construction spout
Soap volume discharge:	0.07 oz (2mL)/level (4 levels)
Power supply:	AC/DC
Finishes:	CR - polished chrome PN - polished nickel NI - brushed nickel BG - brushed gold 44 - matte black TN - titanium
Cutout Size:	Ø 1 1/8"
Accessories included:	power adapter, soap bottle, all supply lines and battery box

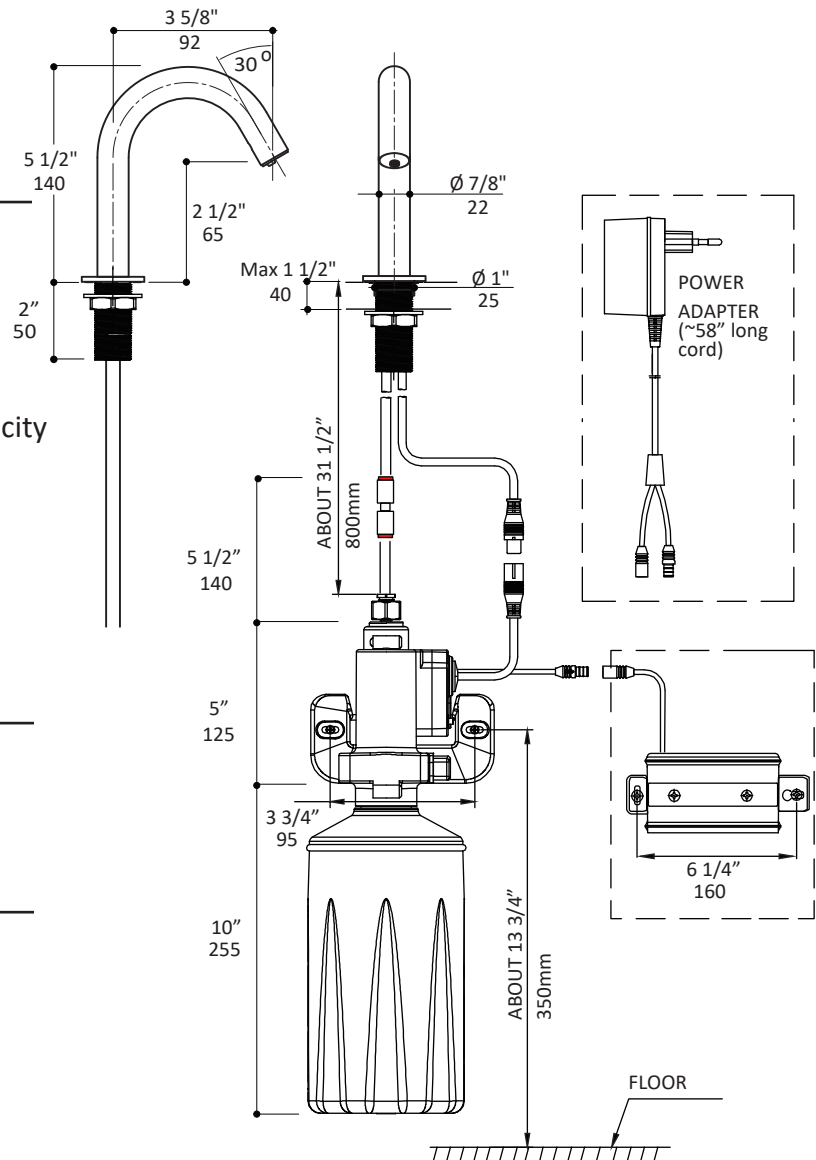


Warnings:

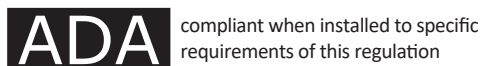
-NO REFLECTIVE MIRROR-LIKE SURFACES SHOULD BE INSTALLED UNDERNEATH THE INFRARED SENSOR REGARDLESS OF THE DISTANCE

Features:

- Power supply options:
AC - transformer with a plug to electricity and/or
DC - battery pack for 4 x D alkaline batteries (batteries not included)
- on average lasts for 75,000 use cycles
- Plastic refillable bottle with 0.5 gal (1.9 L) capacity
- Liquid soap viscosity: 100-3500 cp (mpA-s)
- Sensing distance by default: 4" (10cm)
- Sensing range: 2"-8" (5cm - 20cm) adjustable with a magnet
- Complements the Zoom Collection



Codes + Standards:



Recommended Items:

- Replacement parts:
 - #PUMP2 - replacement pump
 - #4DBATPK - replacement battery pack
 - #EXBTL - replacement soap bottle
- #EX11 - matching electronic faucet

LACAVA reserves the right to revise any dimension or information on this sheet without notice. Dimensions are nominal and may vary within an industry accepted tolerance of 1/4". Drawings provided herein are meant to give the user an idea of the product and are not made to scale. Location of plumbing is meant for reference, your specific application may vary.

Revised: 5/3/2019