

Lirico Vanity Item #H252C + H252

Features:

- Wall-mount under-counter vanity with decorative trim
- Two drawers
- Optional turned solid wood legs sold separately
- Soft close drawer slides
- Polished chrome pulls are included
- Washbasin sold separately
- Customizable for size and color (please request a quote)
- Available in lacquered finishes only
- Handmade in USA
- Manufactured with low VOC finishes and wood from renewable forests



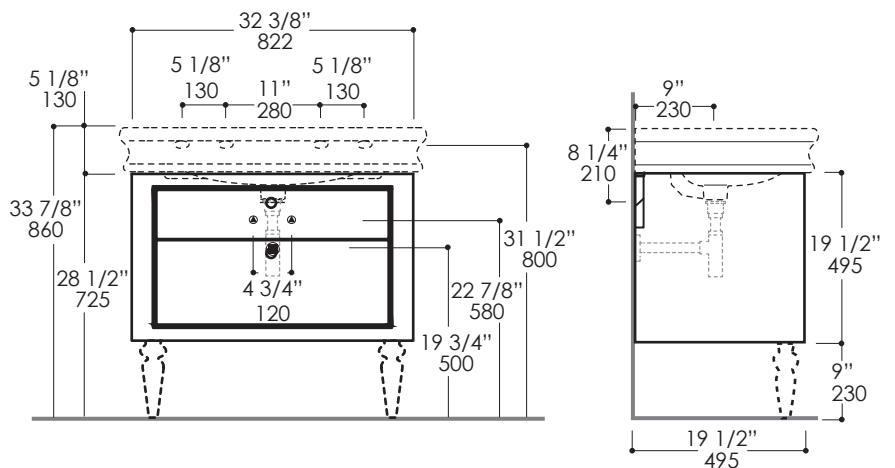
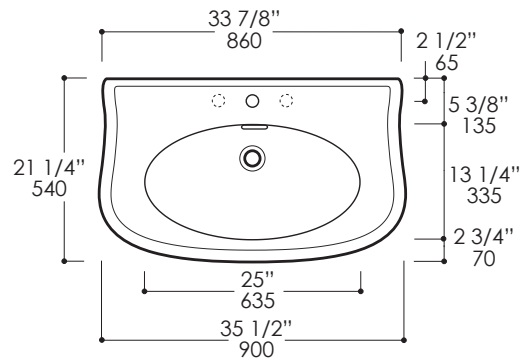
Recommended Accessories:

- Item #H252: Porcelain washbasin with overflow
- Recommended oversized European drain (i.e. item #7100-12 or 7100-16OF)
- Available in White (-001) only
- Faucet hole options available: One, Two, or Three in 8" spread
- Item #H25LEG: Set of 2 solid wood turned legs matching the vanity

Finish Options:

- 08 - White with black trim
- 16 - Black with white trim
- 34 - Mocha with black trim
- 35 - Ardesia with black trim
- 85 - Gloss White with black trim
- 86 - Gloss Black with white trim
- 87 - Gloss Mocha with black trim
- 88 - Gloss Ardesia with black trim

Product Specifications:



Notes:
Drawings provided herein are meant to give the user an idea of the product and are not made to scale. The size in inches is rounded up to the nearest 1/16". Slight variances can often occur with porcelain and woodwork. Therefore, LACAVA will not be held responsible for any cutouts, countertops, or furniture made without the actual product or template from LACAVA. Differences in color, grain, appearance and texture are inherent in all natural woodwork, and should be expected. Variances in these qualities are not deemed manufacturing defects, and will not be accepted as valid reasons to return or exchange any LACAVA woodwork. Plumbing specifications are only a guideline and may need to be altered based on the application.

Product specifications are not binding to the manufacturer and can be changed without notice at any time. Please refer to your shipment for product final sizes.

LACAVA is committed to the highest level of customer service. Please feel free to contact us at 1-888-522-2823 (toll free) or by email at info@lacava.com for technical assistance or any general inquiries.

Rev. 10-25-2017