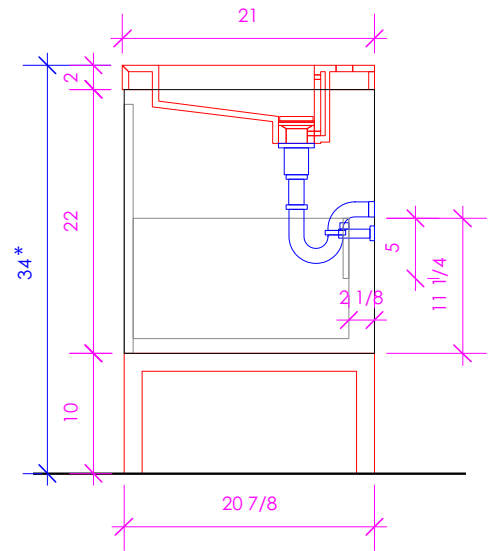
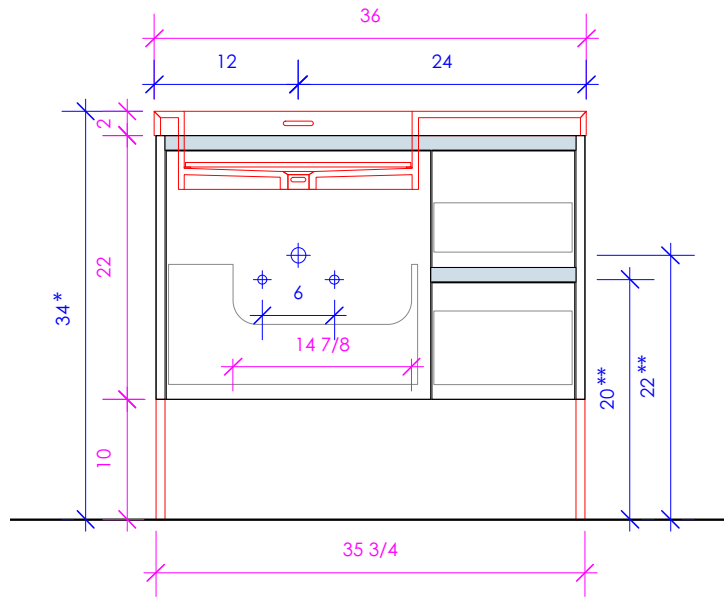
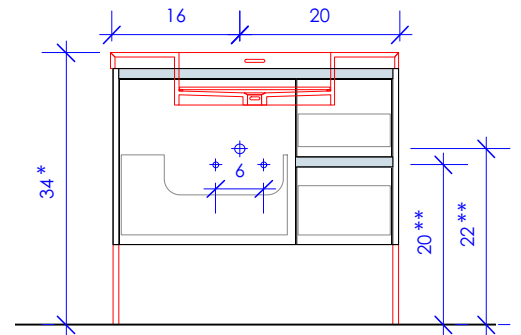


# LACAVA

## KUBISTA

KUB-W-36L

SUGGESTED PLUMBING LOCATION WHEN USED WITH H263T



\* Recommended installation height  
\*\* Recommended plumbing location

### FEATURES:

- WALL MOUNT VANITY
- THREE DRAWERS WITH SELF-CLOSE GLIDES
- INTERIOR DRAWERS STAINED TO REFLECT EXTERIOR FINISH
- FINGERPULL OPENINGS
- USED WITH H263LT VANITY SINK TOP (SOLD SEPARATELY)
- METAL TRIMS ADD ON AVAILABLE (SOLD SEPARATELY)
- METAL LEGS KUB-LEG ADD ON AVAILABLE (SOLD SEPARATELY)
- PROUDLY HANDMADE IN THE USA
- MANUFACTURED WITH LOW VOC FINISHES AND WOOD FROM RENEWABLE FORESTS

### FINISHES:

#### WOOD:

##### STANDARD:

02 - NATURAL CHERRY  
07 - NATURAL WALNUT  
24 - CLASSIC WALNUT  
20 - ASH GRAY  
06 - WENGE  
33 - AFRICAN MAHOAGANY

##### PREMIUM:

22 - GRAY ZEBRA  
31 - WHITE OAK  
47 - SMOKY WALNUT  
08 - MATTE WHITE  
35 - MATTE ARDESIA  
54 - MATTE TAUPE  
16 - MATTE BLACK

##### LUXURY:

37 - WEATHERED OAK  
52 - SILVER OAK  
50 - HORIZON BLUE  
85 - GLOSS WHITE  
88 - GLOSS ARDESIA  
84 - GLOSS TAUPE  
86 - GLOSS BLACK  
08T1 - WHITE W/ TEXTURE  
35T1 - ARDESIA W/ TEXTURE  
54T1 - TAUPE W/ TEXTURE  
16T1 - BLACK W/ TEXTURE

#### COUNTERTOP: H263LT

##### STONE:

WH - BIANCO  
LN - LINAC  
SL - ATHENS  
BN - STORM

##### QUARTZ:

PR - PURO  
FS - FOSSIL  
AH - ASH  
CA - CREMA

##### SOLID SURFACE:

M - SATIN WHITE  
G - POLISHED WHITE

#### METALS:

##### METAL: TRIMS / LEGS

21 - BRUSHED STAINLESS STEEL  
10 - POLISHED STAINLESS STEEL  
51 - BRUSHED BRASS  
44 - MATTE BLACK

LACAVA reserves the right to revise any dimension or information on this sheet without notice. Dimensions are nominal and may vary within an industry accepted tolerance of 1/4". Cabinets with 'vanity top' sinks are made to the matching sink and dimensions may vary. LACAVA is not responsible for any cutouts, countertops, or furniture made without the actual product or template. Differences in color, grain, appearance, and texture are inherent in all natural woodwork and should be expected. Variances in these qualities are not deemed manufacturing defects and will not be accepted as valid reasons for return or exchanges. Plumbing specifications are only a guideline and may need alteration based on application.

6630 WEST WRIGHTWOOD  
CHICAGO, IL 60707

PH: 773-637-9600  
FAX: 773-637-9601

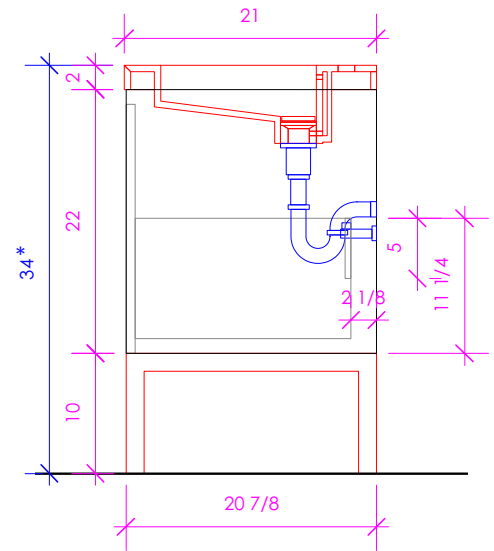
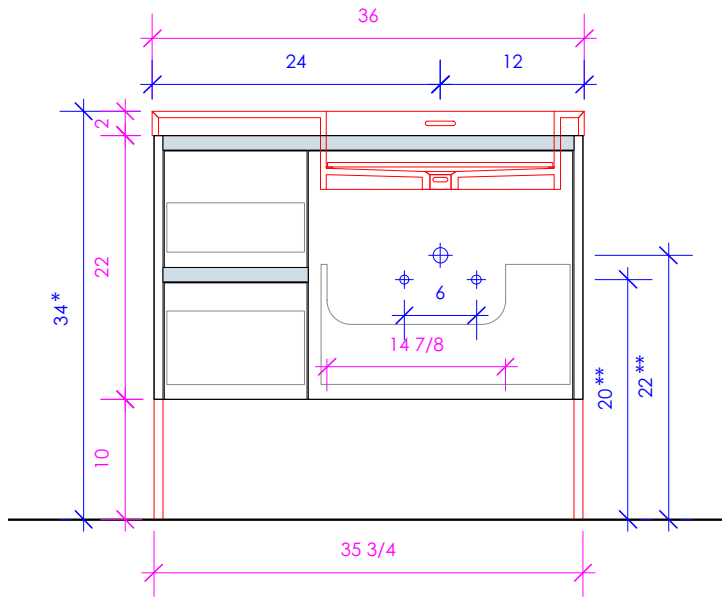
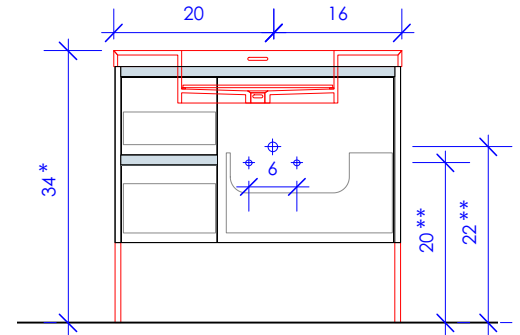
LACAVA.COM  
INFO@LACAVA.COM

# LACAVA

## KUBISTA

KUB-W-36R

SUGGESTED PLUMBING LOCATION WHEN USED WITH H263T



\* Recommended installation height  
\*\* Recommended plumbing location

### FEATURES:

- WALL MOUNT VANITY
- THREE DRAWERS WITH SELF-CLOSE GLIDES
- INTERIOR DRAWERS STAINED TO REFLECT EXTERIOR FINISH
- FINGERPULL OPENINGS
- USED WITH H263RT VANITY SINK TOP (SOLD SEPARATELY)
- METAL TRIMS ADD ON AVAILABLE (SOLD SEPARATELY)
- METAL LEGS KUB-LEG ADD ON AVAILABLE (SOLD SEPARATELY)
- PROUDLY HANDMADE IN THE USA
- MANUFACTURED WITH LOW VOC FINISHES AND WOOD FROM RENEWABLE FORESTS

### FINISHES:

#### WOOD:

##### STANDARD:

02 - NATURAL CHERRY  
07 - NATURAL WALNUT  
24 - CLASSIC WALNUT  
20 - ASH GRAY  
06 - WENGE  
33 - AFRICAN MAHOAGANY

##### PREMIUM:

22 - GRAY ZEBRA  
31 - WHITE OAK  
47 - SMOKY WALNUT  
08 - MATTE WHITE  
35 - MATTE ARDESIA  
54 - MATTE TAUPE  
16 - MATTE BLACK

##### LUXURY:

37 - WEATHERED OAK  
52 - SILVER OAK  
50 - HORIZON BLUE  
85 - GLOSS WHITE  
88 - GLOSS ARDESIA  
84 - GLOSS TAUPE  
86 - GLOSS BLACK  
08T1 - WHITE W/ TEXTURE  
35T1 - ARDESIA W/ TEXTURE  
54T1 - TAUPE W/ TEXTURE  
16T1 - BLACK W/ TEXTURE

#### COUNTERTOP: H263RT

##### STONE:

WH - BIANCO  
LN - LINAC  
SL - ATHENS  
BN - STORM

##### QUARTZ:

PR - PURO  
FS - FOSSIL  
AH - ASH  
CA - CREMA

##### SOLID SURFACE:

M - SATIN WHITE  
G - POLISHED WHITE

#### METALS:

##### METAL: TRIMS / LEGS

21 - BRUSHED STAINLESS STEEL  
10 - POLISHED STAINLESS STEEL  
51 - BRUSHED BRASS  
44 - MATTE BLACK

LACAVA reserves the right to revise any dimension or information on this sheet without notice. Dimensions are nominal and may vary within an industry accepted tolerance of 1/4". Cabinets with 'vanity top' sinks are made to the matching sink and dimensions may vary. LACAVA is not responsible for any cutouts, countertops, or furniture made without the actual product or template. Differences in color, grain, appearance, and texture are inherent in all natural woodwork and should be expected. Variances in these qualities are not deemed manufacturing defects and will not be accepted as valid reasons for return or exchanges. Plumbing specifications are only a guideline and may need alteration based on application.

6630 WEST WRIGHTWOOD  
CHICAGO, IL 60707

PH: 773-637-9600  
FAX: 773-637-9601

LACAVA.COM  
INFO@LACAVA.COM