

PRODUCT DESCRIPTION & Information

CAREFULLY READ THIS INSTRUCTION MANUAL BEFORE INSTALLING AND USING THIS PRODUCT.

Please Keep This Instruction Manual For Future Reference for Product Operation And Maintenance.

The freestanding tub filler faucet upholds the timeless essence of antique faucet design while incorporating the benefits of modern day technology and convenience. Introduce a nostalgic look to your bathroom with our tub filler faucet that has two ergonomic lever handles, a corrosion and tarnish resistant finish, and an elegant brass hand-shower that produces a truly enjoyable bathing experience.

Cleaning and Care

Care should be exercised when cleaning this product. Although its finish is extremely durable, it can be damaged by harsh abrasives and cleaning pads. To clean, use a light, non-abrasive cleaning solution or cleaning polish.

TOOLS YOU WILL NEED:		
		
Plumber's putty	Pipe tape	
		
Philips screwdriver	Pliers	Adjustable wrench

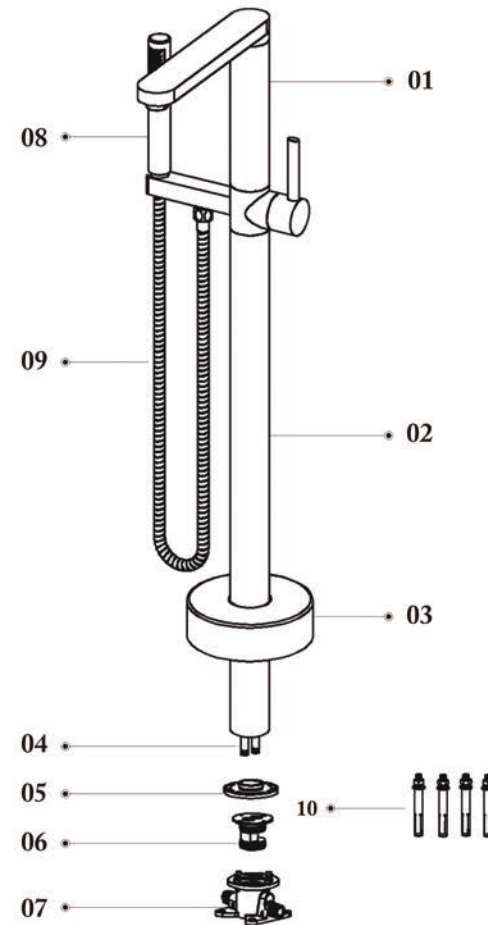
PACKAGE CONTENTS

- 1- Freestanding Tub Filler Faucet
- 1- Installation Accessories
- 1- Hand Shower and Shower Hose
- 1- Escutcheon
- 1- Rough-in Valve

FEATURES

- Elegant Brass Hand Shower
- Solid Brass Construction
- Ceramic Disc Cartridge

PRODUCT DIAGRAM and Parts



01. Faucet Body
02. Floor Tube
03. Floor Escutcheon
04. Brass Water Inlet Pipe x 2
05. Floor Tube Connector
06. Rough-in Valve Connector
07. Rough-in Valve
08. Hand Shower
09. Shower Hose
10. Expansion Screws

FAUCET INSTALLATION

Steps

1a.

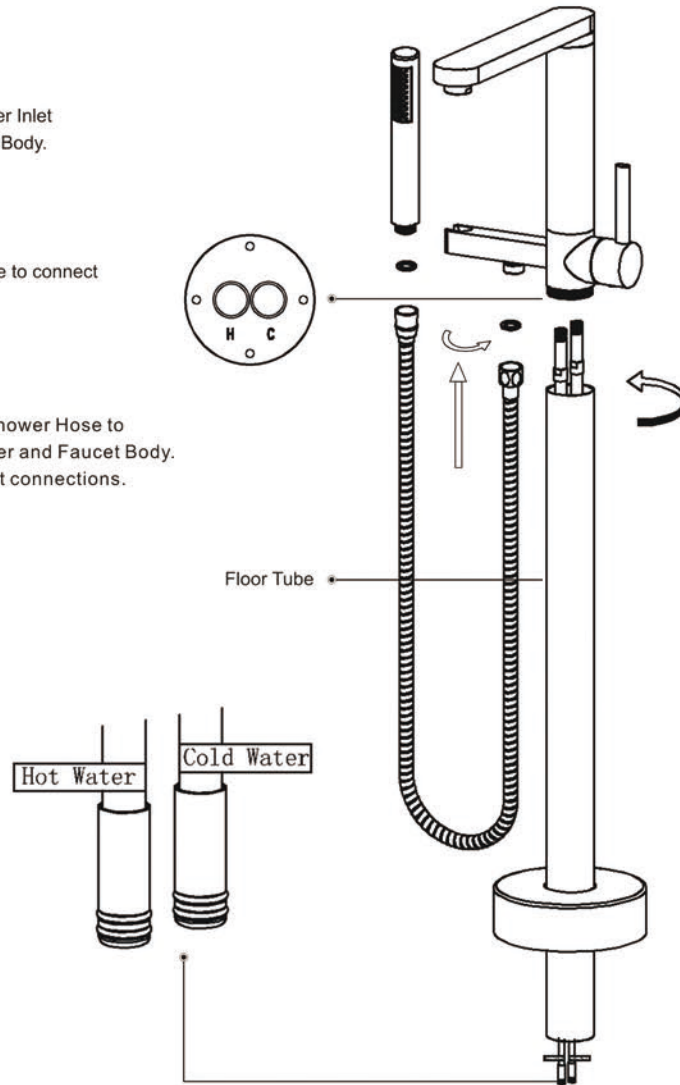
Feed both Brass Water Inlet Pipes into the Faucet Body.

1b.

Thread the Floor Tube to connect with the Faucet Body.

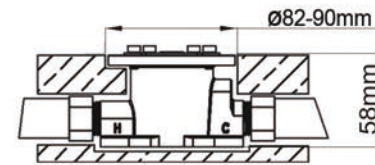
1c.

Connect the Handshower Hose to both the Handshower and Faucet Body. Turn on water to test connections.



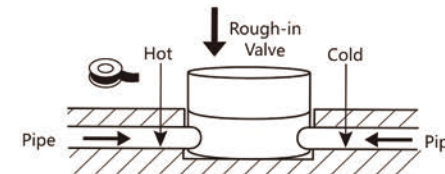
Please connect the Shower Hose in the final step.

ROUGH-IN VALVE Installation Steps



01

* Confirm the proper position for the Rough-in Valve and reserve the hole at $\Phi 82-90\text{mm}$.

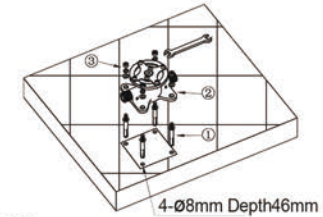


03

* Connect the water supplies to the Rough-in Valve.
* Wrap the threads on both the end of the pipes with tapes.

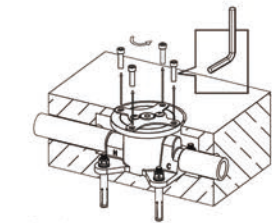
05

* Remove the plate.



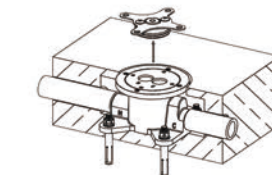
02

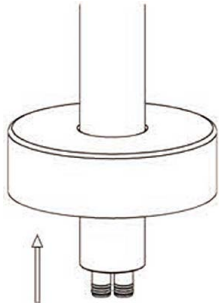
* 2a. Drill 4 holes with $\Phi 8\text{mm}$ drill bit at depth 46mm for fixing Expansion Screws.
* 2b. Fix 4 ① Expansion Screws into the holes.
* 2c. Put the ② Rough-in Valve through ① Expansion Screws and ensuring it is level (refer to levelling bubble on top plate)
* 2d. Tighten ③ the screws



04

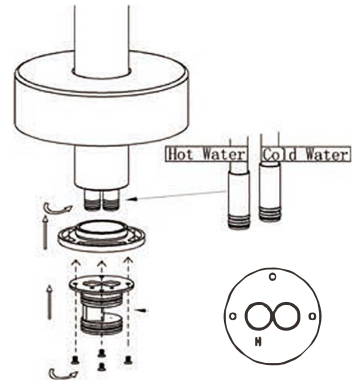
* Loosen the hex nuts with hex wrench provided.





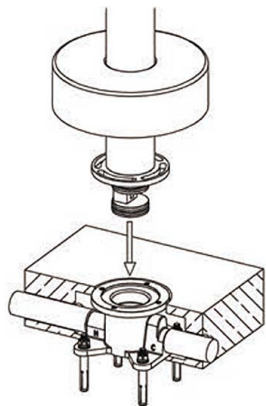
06

- Slide the Floor Escutcheon (from the bottom of the Floor Tube)



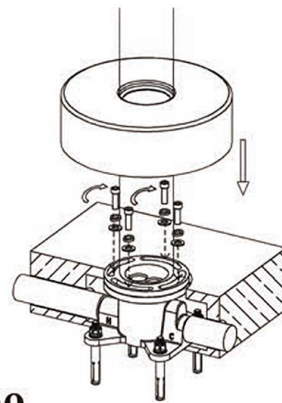
07

- 2a. Secure the Floor Tube connector to the bottom of the Floor Tube
- 2b. Connect the Rough-in Valve connector to the Floor Tube connector with 4 screws



08

- Secure 4 hex nut together with other 2 sequential fittings. Slide down the Floor Escutcheon to cover the Rough-in Valve



09

- Insert and press the faucet into the Rough-in Valve (360° rotate the freestanding bathtub faucet to adjust the direction if necessary)