

Contemporary Technical Specification

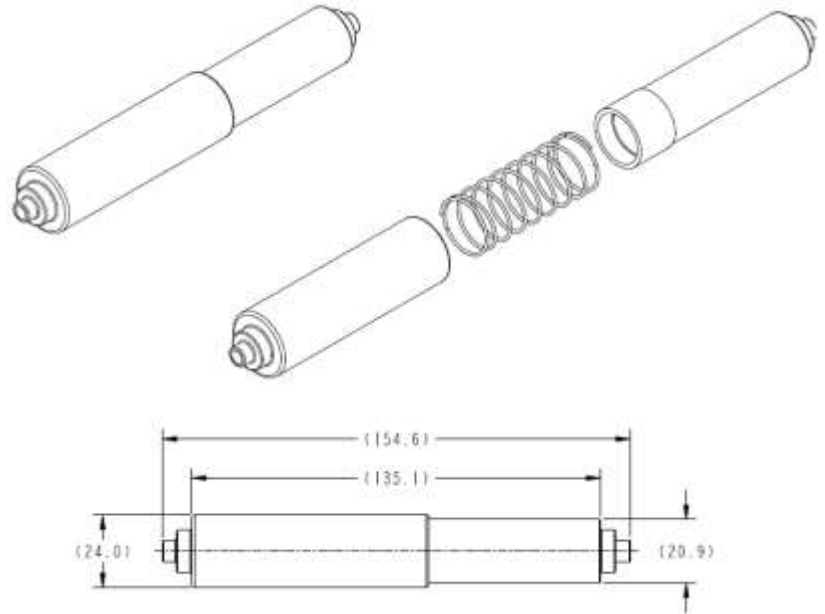
Roller

3

Stock Numbers:

- **3C – Plastic Roller**
Chrome Finish
- **3CH – Metal Roller**
Chrome Finish
- **3W – Plastic Roller**
White Plastic Finish

Dimensions:



Materials:

Plastic Roller is constructed of polypropylene

Installation Instructions:

1. Put one end in the post.
2. Push in spring loaded roller.
3. Release other end in post.

Cleaning Instructions:

To preserve the fine finish of this product, clean only with a soft damp cloth. Dry well. Do not use commercial or abrasive cleaners.

Stock Number: _____ **Plastic Roller**
By Creative Specialties



25300 AL MOEN DRIVE • NORTH OLMSTED, OH 44070
CORPORATE HEADQUARTERS: (800) 321-8809 • FAX: (800) 848-6636
INTERNATIONAL: (440) 962-2000 • FAX: (440) 962-2726
CUSTOMER SERVICE (USA): 800-882-0116 • FAX: (888) 379-2720
WWW.MOEN.COM

©Copyright Creative Specialties International

Literature #BA1701