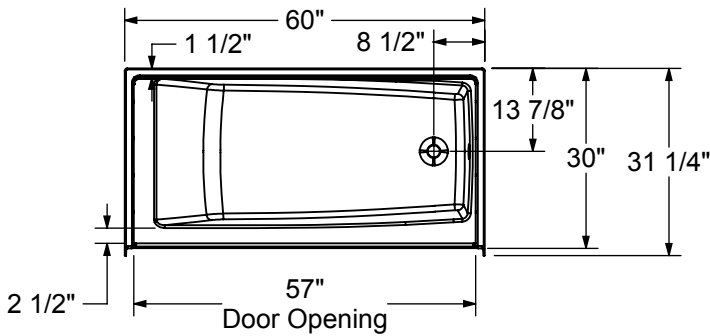
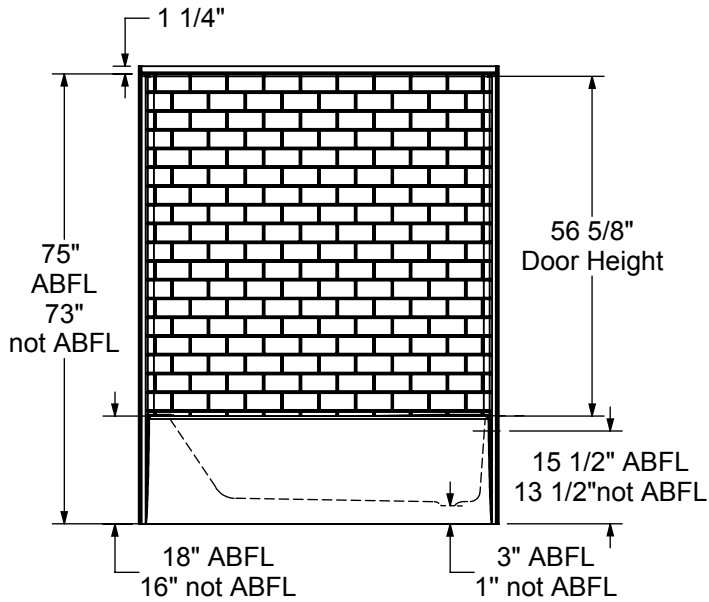
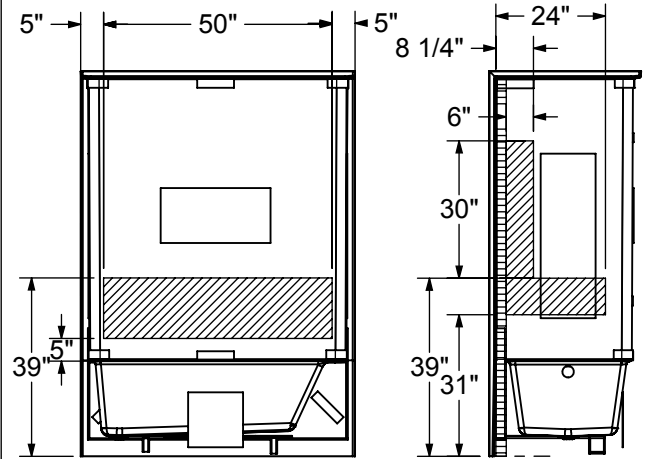


STANDARD  
(Right Shown)

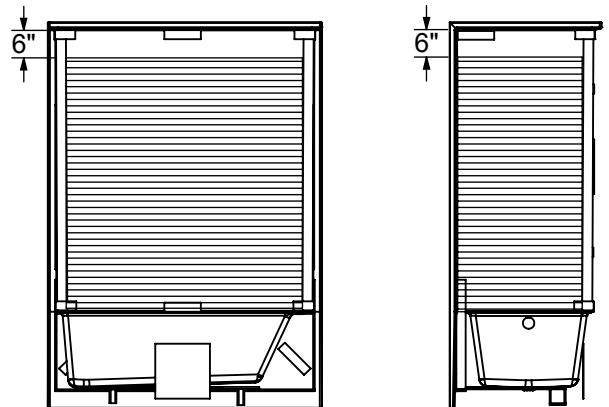


OPTIONAL REINFORCEMENT

BUILDER BACKING Option



FULL WALL Reinforcement Option  
SINGLE WALL Reinforcement Option



All dimensions are approximate. Structure measurements must be verified against the unit to ensure proper fit.