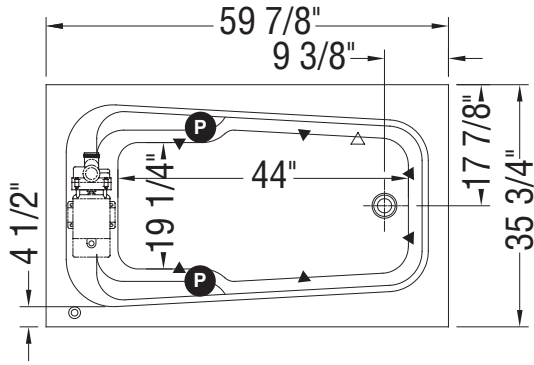
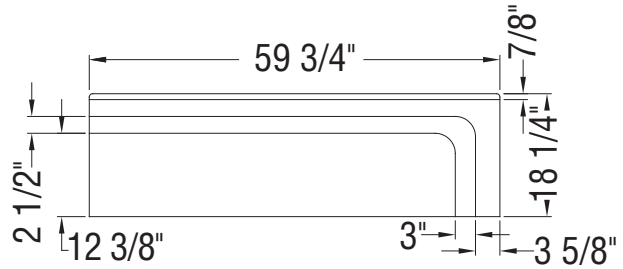
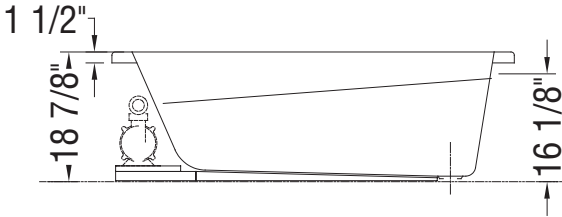
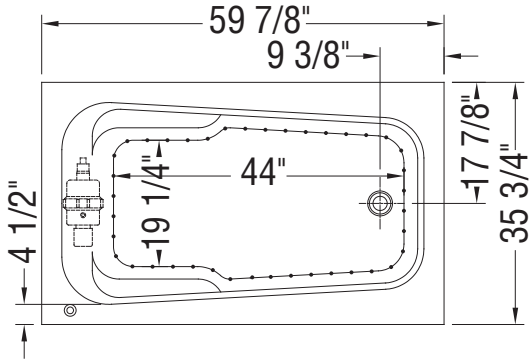


WHIRLPOOL SYSTEM



AIR SYSTEM



(P) : Indicates optional grab bar positioning

(▲) : Indicates Whirlpool jets positioning

(●) : Indicates airjets positioning

(△) : Indicates suction positioning

All dimensions are approximate. Structure measurements must be verified against the unit to ensure proper fit.