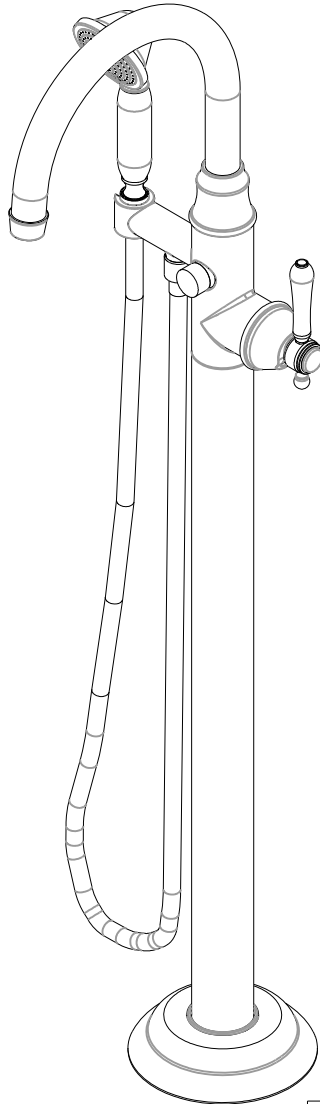


NOTES:

(NI) 1. FIT / FORM / FUNCTION SHALL FOLLOW PS-E.008.



BILL OF MATERIAL (CURRENT LEVEL)

ITEM	PT/ASSY	DESCRIPTION	TYPE	QTY.
1	12187	BODY	PART	1
2	12189	ADAPTER	PART	1
3	91017	O-RING, #2- 012, EPDM, 65-75 DURO, NSF	BART	1
4	12175	HAND SHWR HOLDER	PART	1
5	92821	SCREW	PART	1
6	20-259	DIVERTER ASM	ASSEMBLY	1
7	1-292	CARTRIDGE	ASSEMBLY	1
8	92308	SCRW, M5 X 5 SKT HD CUP PT SS	PART	1
9	12184	WATER SUPPLY HOSE	ASSEMBLY	2
10	20-310	BODY ASM	ASSEMBLY	1
11	284_	SHOWER HOSE	PART	1
12	20-260	DIVERTER ASM	ASSEMBLY	1
13	12191	DIVERTER BUTTON	PART	1
14	92070	SCRW, #14 X 2 SLT FLT HD SS	PART	3
15	91368	WALL ANCHOR PLASTIC, 12-1/4	PART	3
16	13220	CARTRIDGE RETAINER	PART	1
17	91227	O-RING, #2-125, EPDM, 65-75 DURO	PART	1
18	13221	HANDLE BASE	PART	1
19	92035	SCRW, M4 X .7 X 10 PHL FLT HD SS	PART	1
20	20-190	CAP ASM	ASSEMBLY	1
21	13222	BASE RING	PART	1
22	91630	GROMMET	PART	1
23	20-377	SPOUT ASSY	ASSEMBLY	1
24	13240	HANDLE HUB	PART	1
25	283-201	HANDSHOWER ASM	ASSEMBLY	1
26	12465	HANDLE LEVER	PART	1
27	10851	HANDLE FINIAL	PART	1
28	10159	HEX KEY, 3/32 ALLOY STEEL	PART	1
29	91649	AERATOR KEY	PART	1
30	12257	1/2 X 3/4 NPSM THD ADAPTER	PART	2

TESTING	-	-	-
ASSEMBLY	-	-	-
PLATING	-		
POLISHING	-	NEXT ASSY	USED ON
MACHINING	-		
TOOLING FIXTURE #		REMOVE ALL BURRS AND SHARP EDGES	

BRASSTECH 2001 CARNEGIE AVE.
INCORPORATED SANTA ANA, CA 92705
(949) 417-5207

TUB FILLER, FREE STANDING

DWG NO. **930-4261** REV

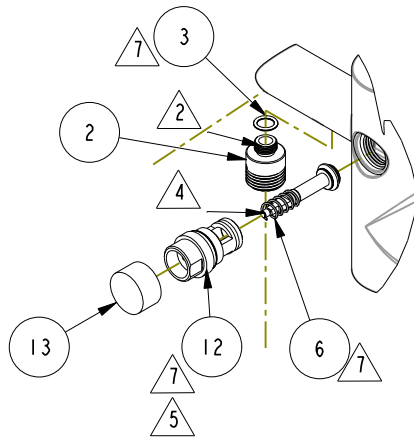
SCALE .165 REF. SHEET | OF 4

COPYRIGHT 2005 BRASSTECH, INC. THESE DRAWINGS AND THE DESIGNS DEPICTED HEREIN ARE THE PROPRIETARY PROPERTY OF BRASSTECH. ANY USE OR REPRODUCTION IS SUBJECT TO THE EXPRESS APPROVAL OF BRASSTECH. UNAUTHORIZED USE IS STRICTLY PROHIBITED. ALL RIGHTS RESERVED.

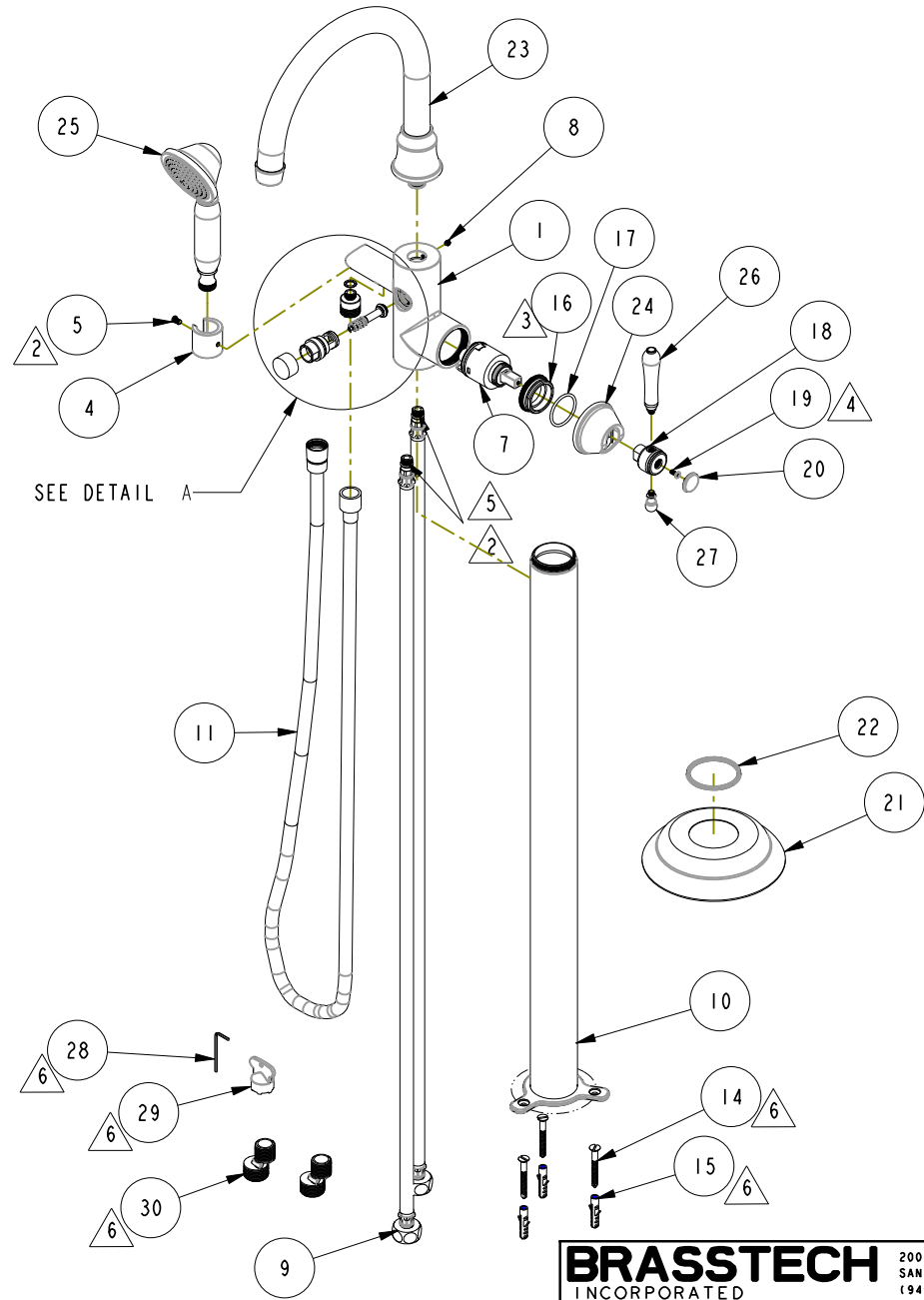
ZONE	REV	DESCRIPTION	DATE	APPROVED
-	-	EN-3885	07/09/19	C.G.

NOTES:

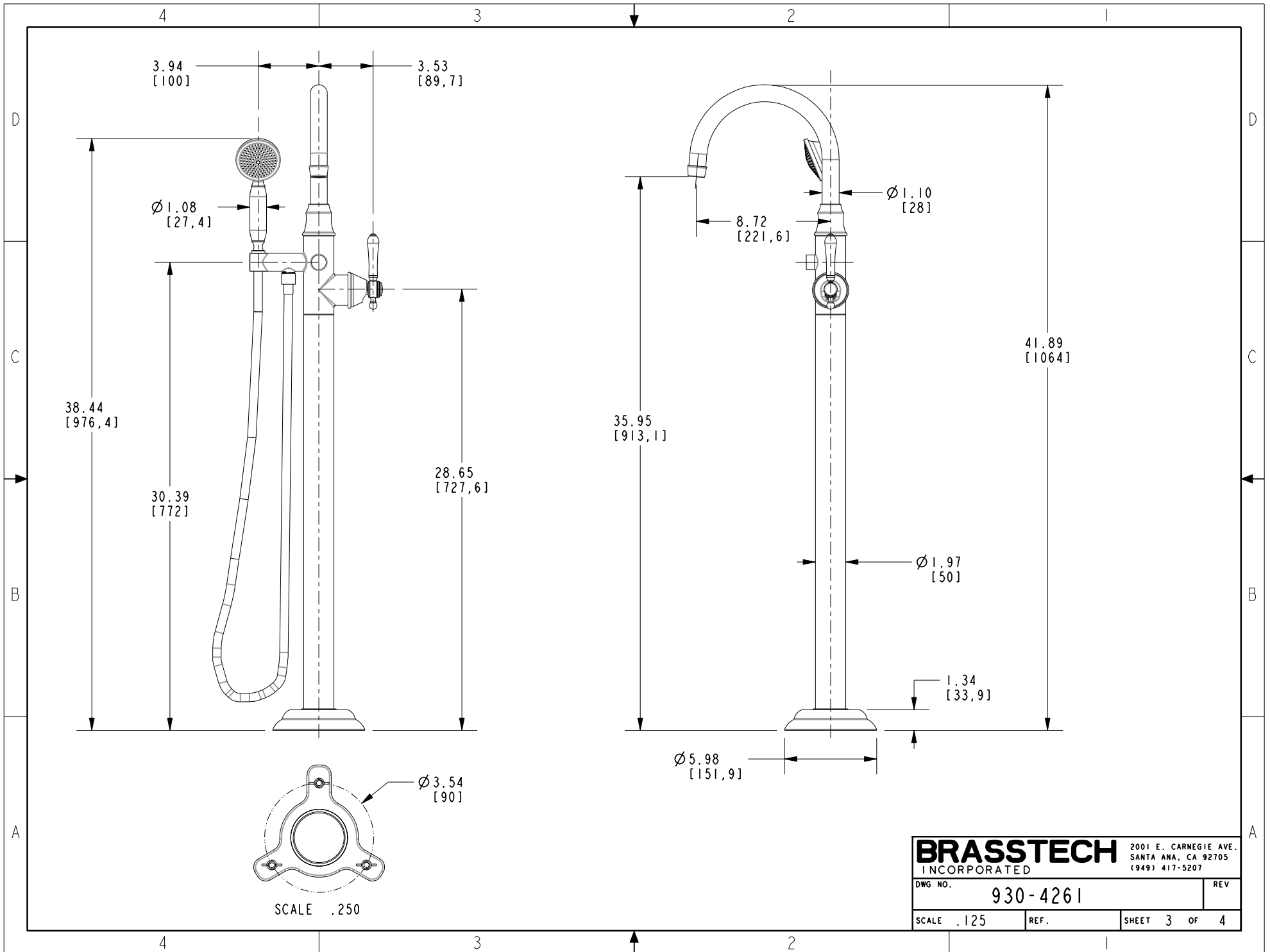
- 2. APPLY LOCTITE 680.
- 3. TORQUE TO 7.5-8.5 LB-FT.
- 4. APPLY LOCTITE 242 IF SCREW DOES NOT HAVE A NYLON PATCH.
- 5. TORQUE TO 18-20 LB-IN.
- 6. PLACE THESE ITEMS IN SEPERATE PLASTIC BAGS.
- 7. APPLY THIN COAT OF SILICONE GREASE.



DETAIL A
SCALE .250



BRASSTECH INCORPORATED		2001 E. CARNEGIE AVE. SANTA ANA, CA 92705 (949) 417-5207	
DWG NO. 930-4261		REV	
SCALE .125	REF.	SHEET 2 OF 4	

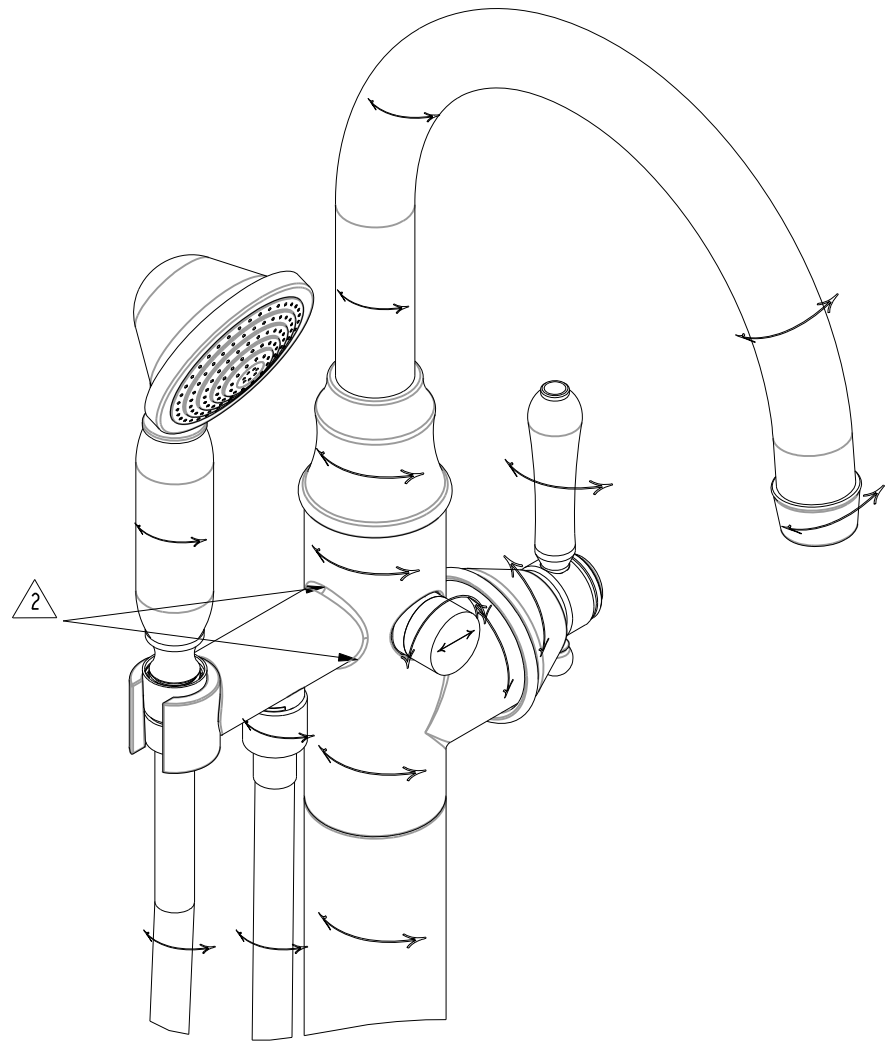
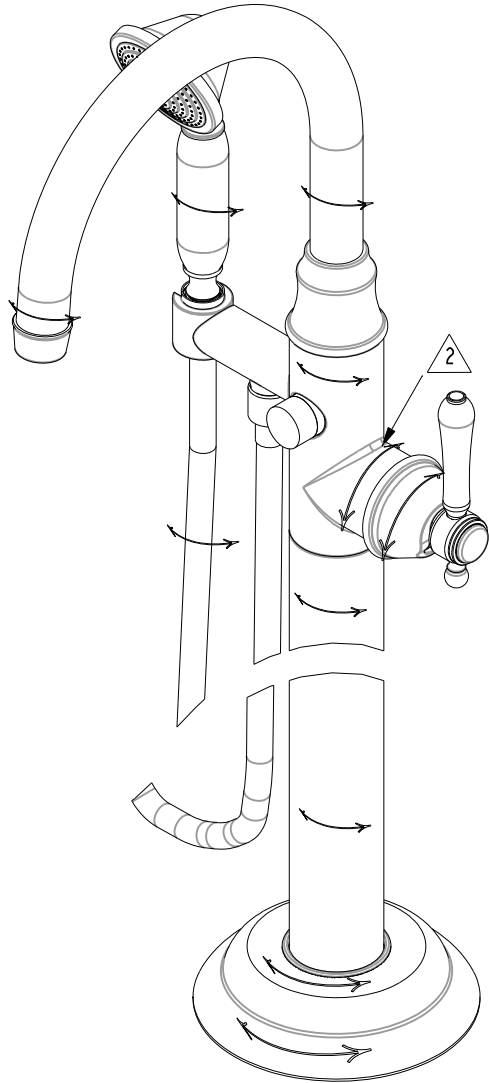


BRASSTECH		2001 E. CARNEGIE AVE. SANTA ANA, CA 92705 (949) 417-5207	
DWG NO.	930-4261	REV	
SCALE .125	REF.	SHEET 3 OF 4	

NOTES:

1. \longleftrightarrow INDICATES STROKE DIRECTION FOR SATIN FINISHES ONLY.

2. \triangle SAND BLAST THIS SURFACE.



SCALE .375

BRASSTECH INCORPORATED		2001 E. CARNEGIE AVE. SANTA ANA, CA 92705 (949) 417-5207	
DWG NO.	930-4261	REV	
SCALE .250	REF.	SHEET 4 OF 4	