



# PHYLTRICH<sup>®</sup>

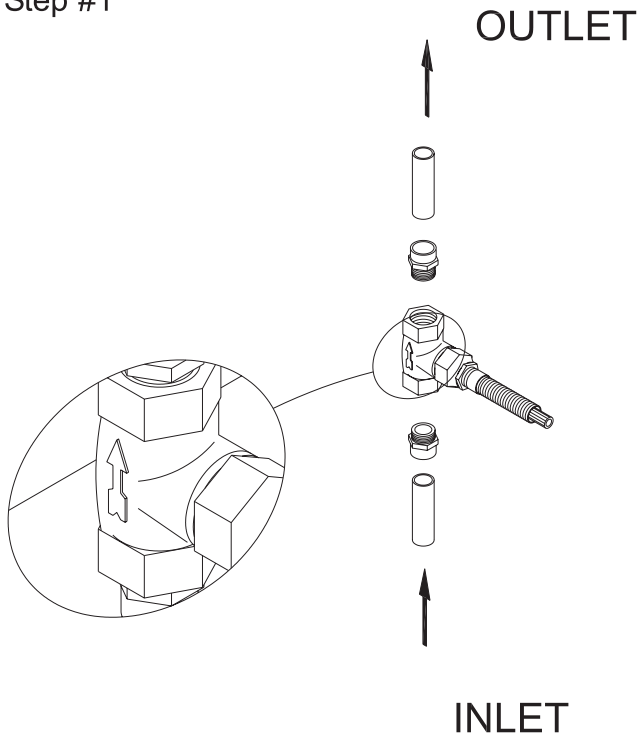
Defining Luxury Since 1959

---

**INSTALLATION INSTRUCTIONS FOR  
1/2" & 3/4" IN LINE VOLUME CONTROL VALVE  
Valve Numbered: 80607PHY & 80002125  
Trim Numbered 2PV**

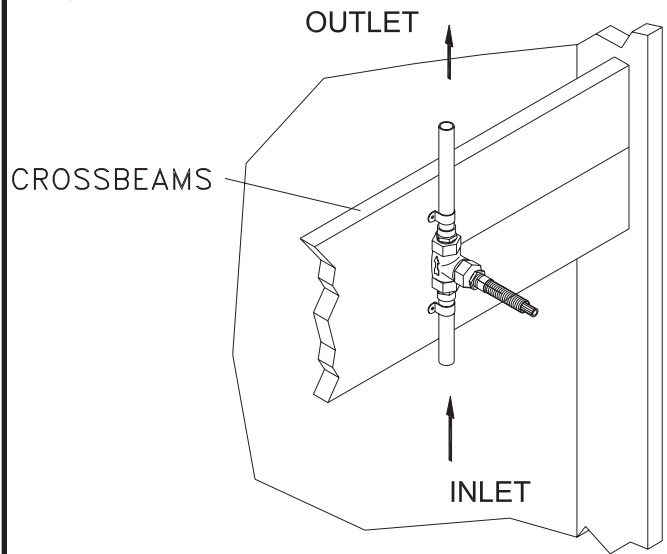
1261 Logan Ave, Costa Mesa, CA 92626  
Telephone: 714-361-4830 Fax: 714-617-3120  
[www.phylrich.com](http://www.phylrich.com)

Step #1



Attach supply line and connect valve as shown above.

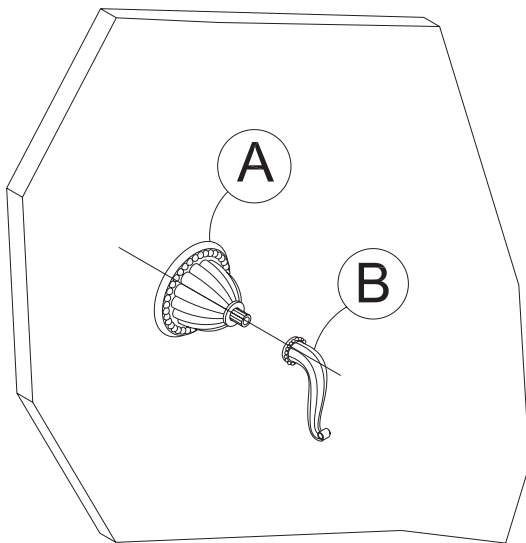
Step #2



Please refer to P99016A to determine the proper rough in for the valves. Install crossbeams at those locations and secure valves.

NOTE: The stem and on this valve may be trimmed to the correct rough in measurement.

Step #3



Attach escutcheon (A) and handle (B) to the diverter stem assembly.

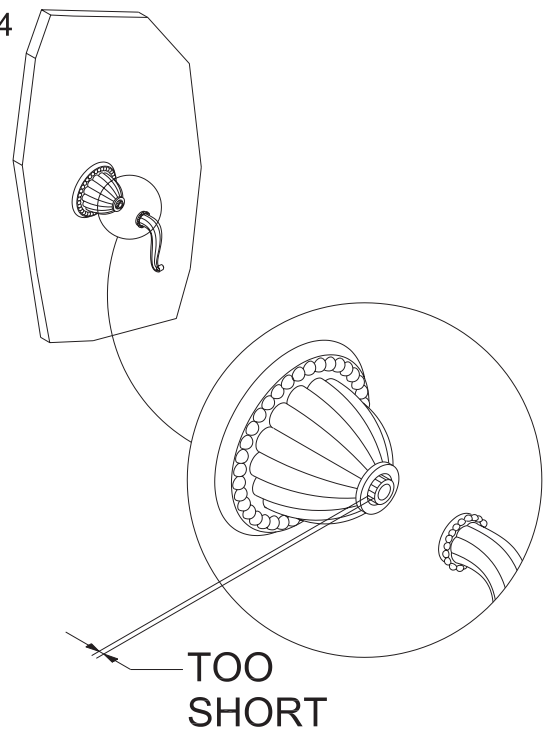
NOTE: Trim parts will vary according to series.

If the stem or nipple is too short to accept the trim, see step 4.

If the stem or nipple is too long, see step 5.

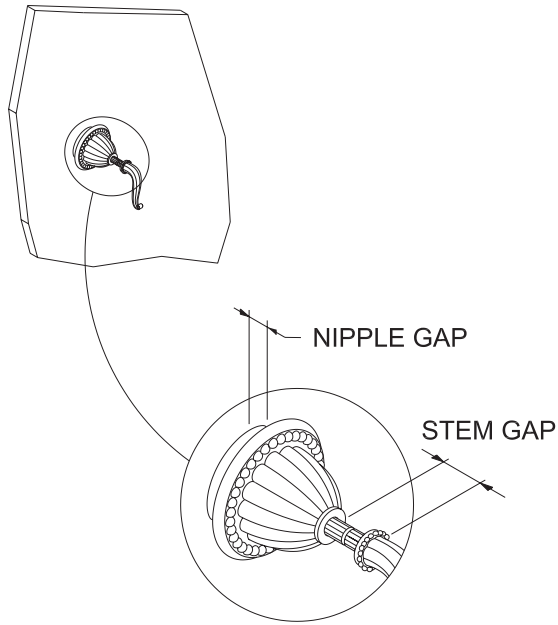
For installation instructions for adjustable height handles see step 7.

Step #4



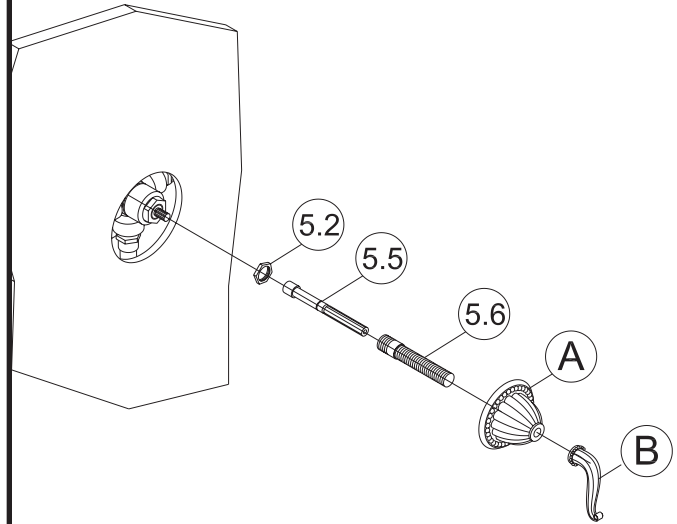
If the valve is installed too deep behind the wall, extension stems are available. Please contact your local distributor to order part number EXTWALL65\_001 and go to step 6.

### Step #5



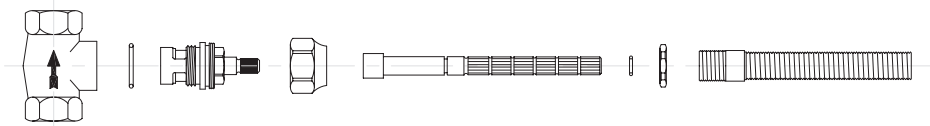
If the valve is installed too far out of the wall, the stem and nipple may be trimmed. To determine amount to be cut measure the gap between the escutcheon and the wall and/or the gap between the handle and escutcheon

### Step #6

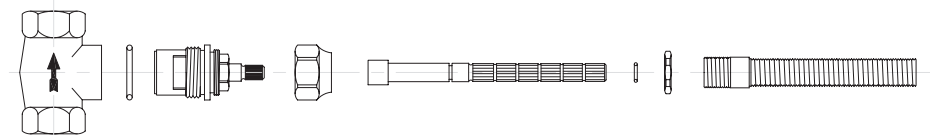


After receiving the part EXTWALL65\_001  
Remove handle (B), escutcheon (A), stem (#5.5), nipple (#5.6) and lock nut (#5.2). Make appropriate cuts and reinstall as in step 9. Secure handle using set screws or 1/4-20 screw provided.

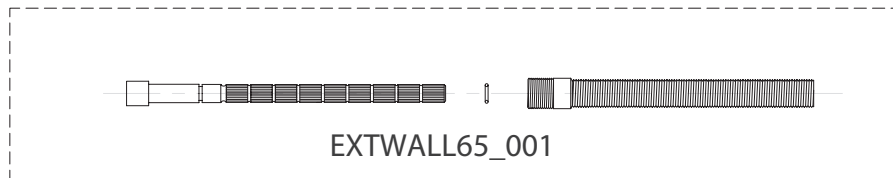
## Valve Breakouts



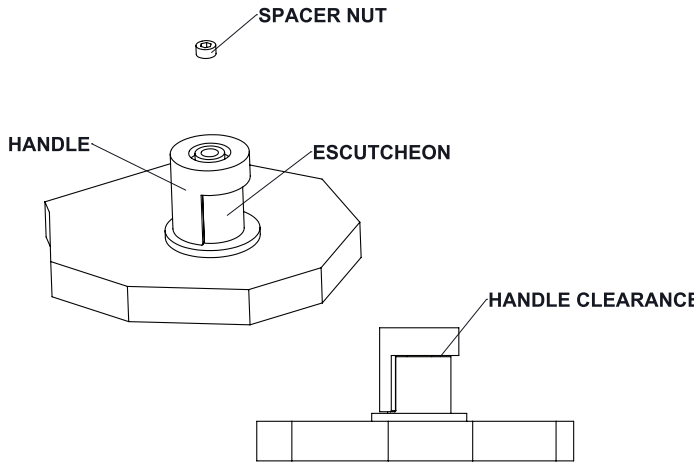
**1/2"**  
**Product #**  
**80607PHY**  
**(8-10 GPM)**



**3/4"**  
**Product #**  
**80002125**  
**(10-12 GPM)**

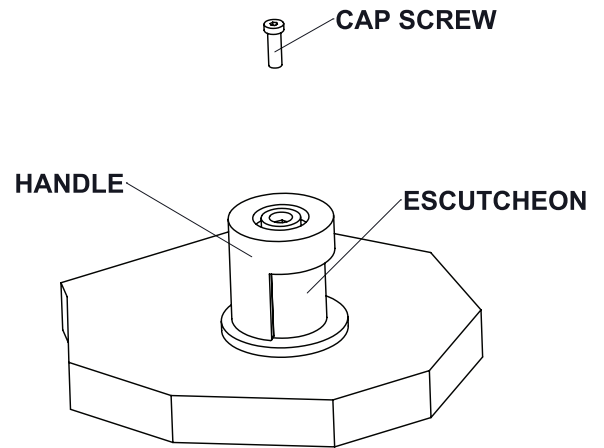


### Step #7



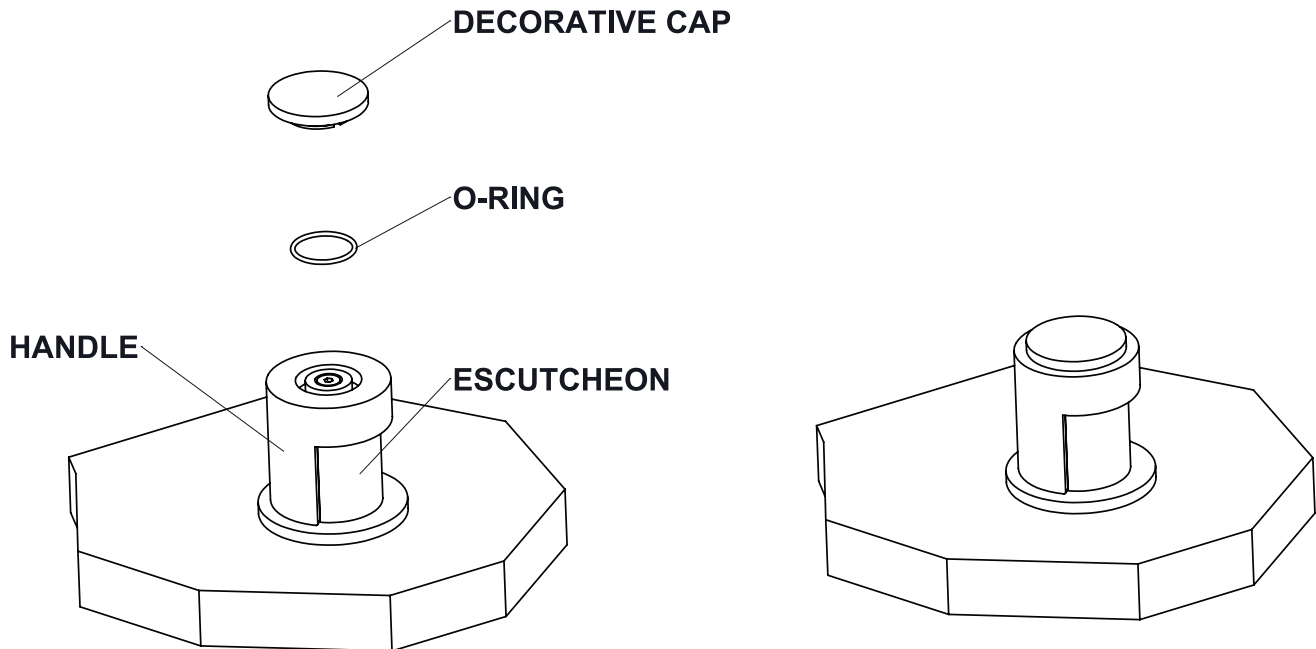
Attach handle to handle escutcheon. Tighten spacer nut into the handle so that there is clearance (~1/32") between the handle and the handle base. See clearance diagram shown above.

### Step #7.1



Secure handle to the handle escutcheon by tightening the cap screw into the valve stem.

### Step #7.2



Complete the handle installation by placing the o-ring and decorative cover plate into the recess in the handle.

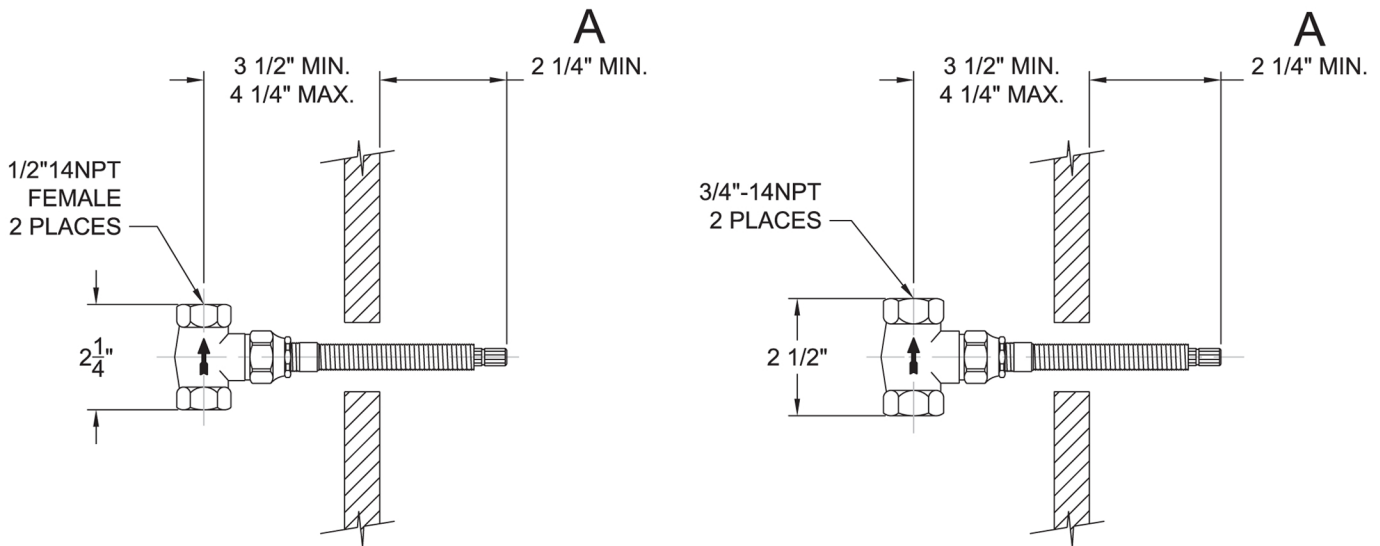


Valve shown:

**80607PHY**  
**80002125**

## Rough In Specifications For 1/2" & 3/4" In Line Volume Control

IF YOU DO NOT KNOW THE TRIM NUMBER PLEASE  
REFERENCE THIS DRAWING FOR CORRECT  
VALVE PLACEMENT



**ALL PHYLRICH VALVE INSTALLATIONS MUST FOLLOW  
THE MEASUREMENTS FOR "A" LISTED BELOW.  
PLEASE CONSULT THE TRIM NUMBER FOR THE CORRECT ROUGH IN DIMENSION.**

Phylrich Prod#	Rough In	Phylrich Prod#	Rough In	Phylrich Prod#	Rough In	Doralfe Prod#	Rough In
2PV101.....	2 3/8"	2PV158D.....	2 1/4"	2PV243.....	3"	D2PV100.....	2 1/4"
2PV104.....	2 3/4"	2PV158F.....	2 1/4"	2PV244.....	3"	D2PV102.....	2 1/4"
2PV105.....	2 3/4"	2PV160.....	2 1/4"	2PV270.....	3"	D2PV103.....	2 1/4"
2PV109.....	2 5/8"	2PV170.....	2 1/2"	2PV271.....	3"	D2PV130.....	2 1/4"
2PV111.....	1 7/8"	2PV171.....	2 1/2"	2PV272.....	3"	D2PV134.....	2 1/4"
2PV112.....	1 1/2"	2PV180.....	3"	2PV273.....	3"	D2PV137.....	2 1/4"
2PV120.....	2 1/8"	2PV181.....	3"	2PV274.....	3"	D2PV205.....	2 3/4"
2PV121.....	2 1/4"	2PV183.....	3"	2PV338B.....	2 1/2"	D2PV206.....	2 3/4"
2PV123.....	2 5/8"	2PV184.....	3"	2PV338C.....	2 1/2"		
2PV137.....	2 3/8"	2PV190.....	2 3/8"	2PV338D.....	2 1/2"		
2PV137SF.....	2 3/8"	2PV234.....	2 5/8"	2PV338F.....	2 1/2"		
2PV141.....	2 3/8"	2PV240.....	3"	2PV361.....	2 3/8"		
2PV144.....	2 1/4"	2PV241.....	3"				
2PV158B.....	2 1/4"	2PV242.....	3"				
2PV158C.....	2 1/4"						