

**Series 4400**  
*Pressure Balance Shower Set*

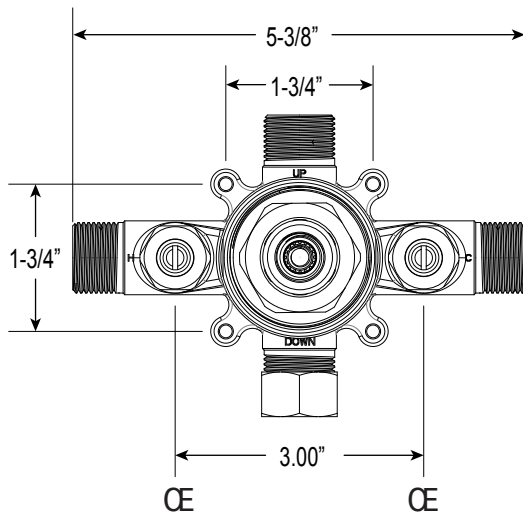
1.002864  
(1.002864T - Trim Only)

**Carina Handle**

**Euro Style 20 pt.**

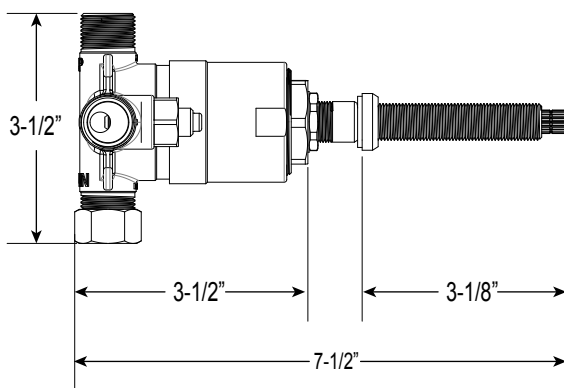
**FEATURES:**

- Forged brass construction
- Valve cartridge 18.30.893
- Adjustable hot limit safety stop
- Reversible cartridge
- 5.6 GPM @ 45 PSI
- Includes showerhead, arm, and flange
- Certified to meet or exceed the following codes and standards:  
ASME A112.18.1/CSAB 125.1-2012

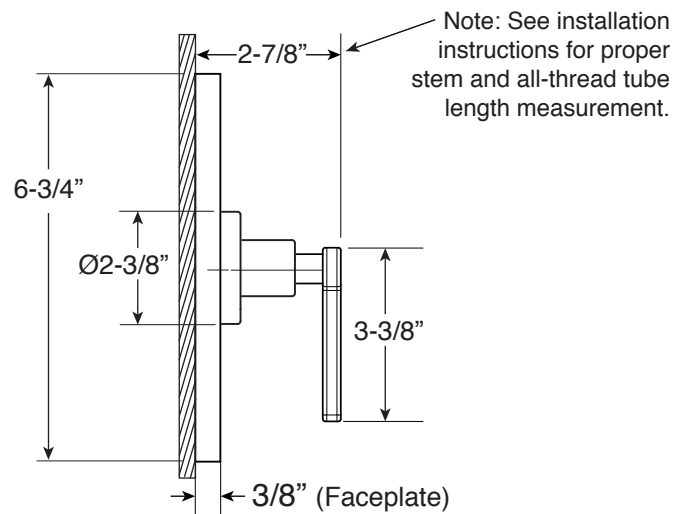
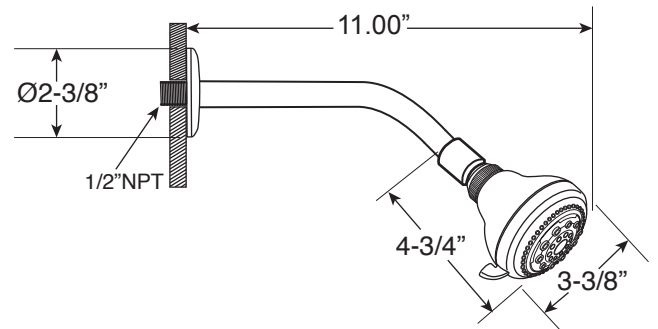


**FRONT VIEW**

**SIDE VIEW**



*\*Note: Stem and all-thread tube will be sent with handle trim.*



\* Current valve in use:  
Circa 4/2014 - present  
Contact Customer Service  
for Older Versions

\*\* For additional information on  
cartridges or extension kits,  
see 'Rough Valving' section  
in current catalog.

Note: Measurements are subject to change. No responsibility is assumed for use of superseded or voided pages.