

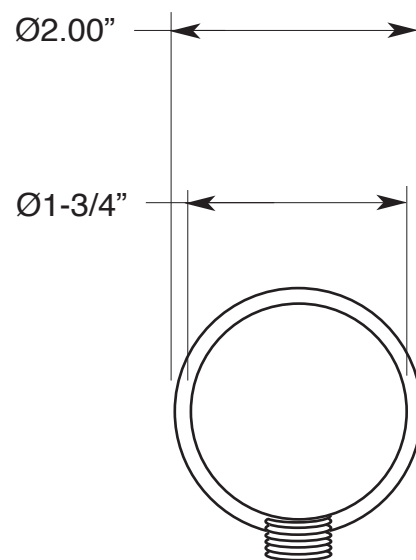
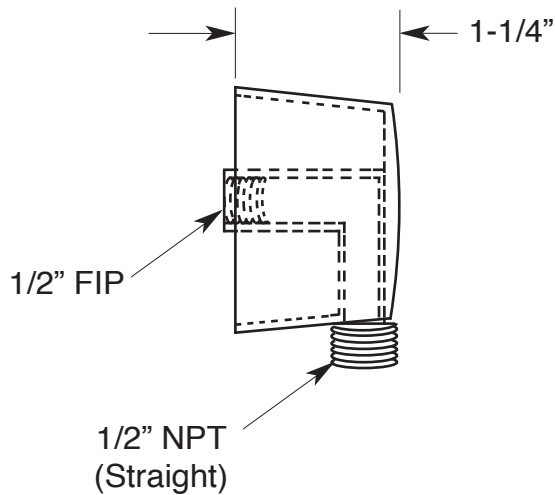
FEATURES:

- All brass construction
- Available in all finishes. Warranty varies according to finish selection.
- Certified to meet or exceed the following codes and standards:
ASME A112.18.1/CSAB 125.1-2011

Handshower Accessory

Union with Waterway

18.10.012



Note: Measurements are subject to change or cancellation. No responsibility is assumed for use of superseded or voided pages.