

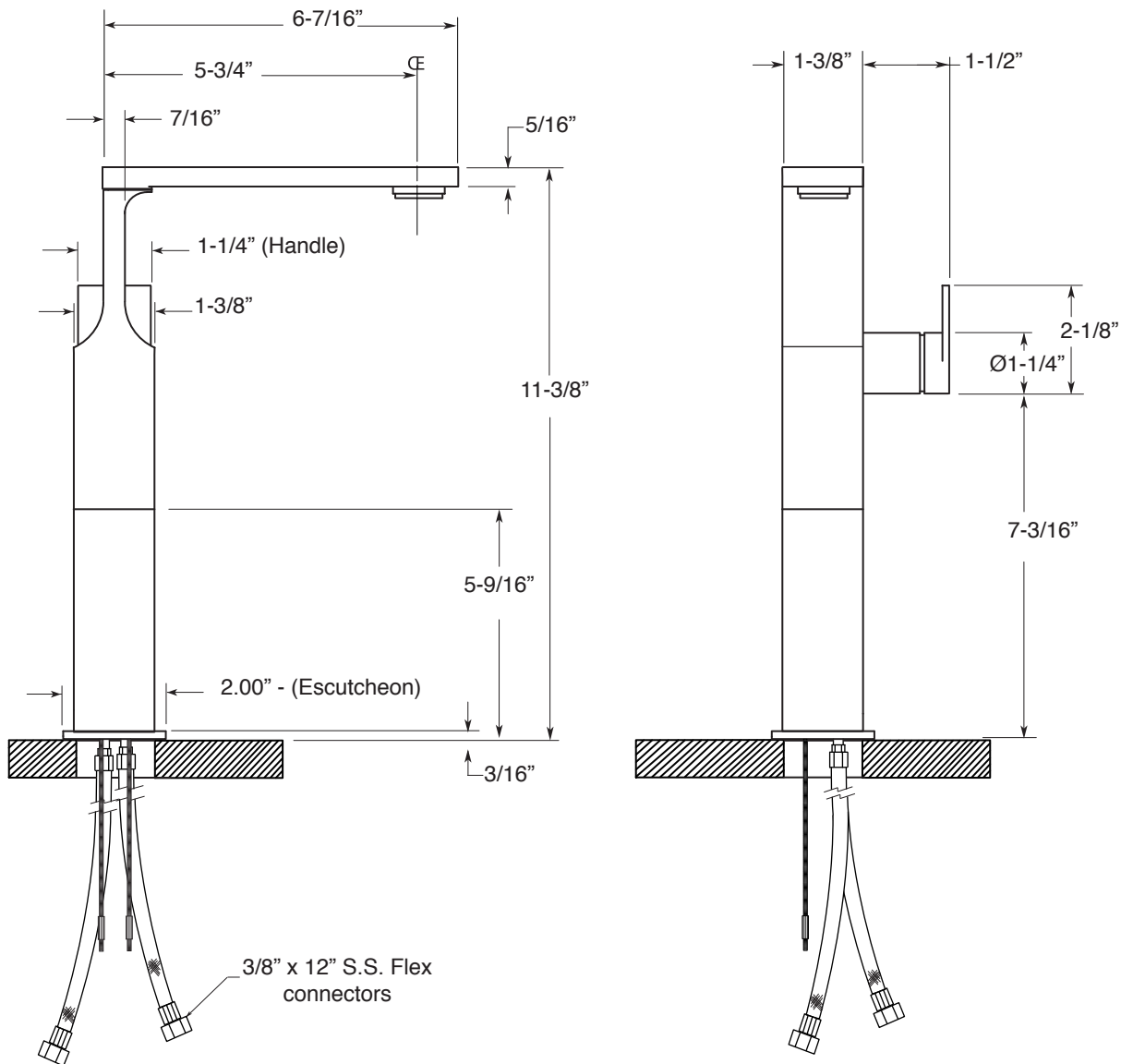
FEATURES:

- All brass construction.
- Includes grid drain without overflow: P/N 18.11.120
- Concealed aerator: requires special supplied key
- Replacement cartridge P/N 18.30.229
- Available in all finishes. Warranty varies according to finish selection.
- Standard aerator is limited to 1.2 gpm.
- Certified to meet or exceed the following codes and standards:
ASME A112.18.1/CSA B125.1-2012

Series 2300

**Single-Hole Tall Lavatory Faucet
Stixx Handle**

1.230028



Note: Measurements are subject to change or cancellation. No responsibility is assumed for use of superseded or voided pages.