

CODE NUMBER

10001015

DESCRIPTION

SU-1009 Urinal and REGAL 186 Flushometer.

COMPONENTS

- Flushometer: Code 3982604
- Urinal: Code 1101009

DETAILS

- Flush Volume: 0.125 gpf (0.5 Lpf)
- Nominal Dimensions: 14 ¼" x 17 ¼" x 25 ½" (362 x 438 x 648mm)

FLUSHOMETER FEATURES

- ADA Compliant Metal Oscillating Non-Hold-Open Handle
- Control Stop Plug
- Sweat Solder Adapter with Cover Tube
- Cast Wall Flange with Set Screw
- Vacuum Breaker Flush Connection
- Spud Coupling Wall and Spud Flange for ¾" Top Spud
- Non-Hold-Open Handle and No External Volume Adjustment to Ensure Water Conservation
- ¾" I.P.S. Wheel Handle Bak-Chek® Angle Stop

FIXTURE FEATURES

- White Vitreous China
- Washdown flushing action
- Integral flushing rim
- ¾" I.P.S. top spud inlet
- 2" NPT outlet flange
- Vandal resistant strainer assembly included
- All mounting hardware included
- 100% factory flush tested



COMPLIANCES & CERTIFICATIONS



(ADA Compliant, BAA Compliant, BREEAM Water Credit, BREEAM Materials Credit, CalGreen Compliant, CEC Compliant, CSA Certified, cUPC Certified, cUPC Certified (Requires use of listed vacuum breaker that complies with ASSE 1001), cUPC Green Certified, cUPC Green Certified (Requires use of listed vacuum breaker that complies with ASSE 1001), HPD, Green Globes Water Credit, Green Globes Materials & Resources Credit, LEED V4 Water Efficiency Credit, LEED Materials & Resources EPD Credit, LEED Materials & Resources HPD Credit, Satisfies LEED Credits, WaterSense Listed, UPC Certified, WELL Building Standard)

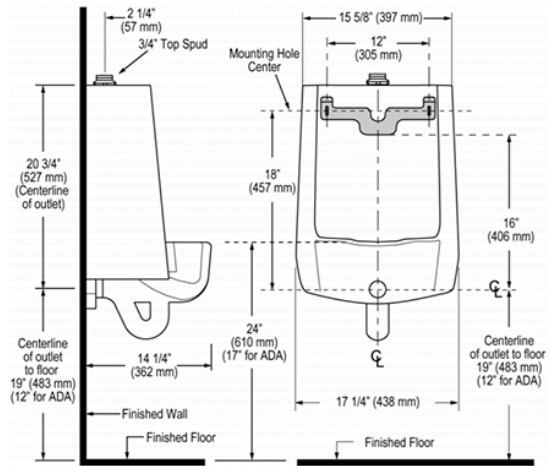
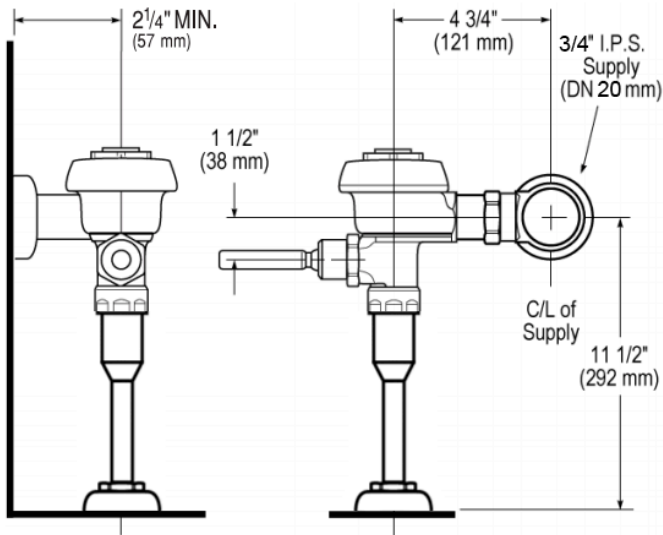
DOWNLOADS

- [Regal XL Exposed Installation Instructions](#)
- [Standard Spud Urinal Installation Instructions](#)
- [Regal Flushometers Repair and Maintenance Guide](#)
- [SS/ST/SU/WETS/WEUS Fixtures Repair and Maintenance Guide](#)
- [Additional Downloads](#)

NOTES

All information contained within this document subject to change without notice.

ROUGH-IN



NOTE: ADA urinal rim height requirements allow all heights 17" and below. Sloan strongly recommends roughing in the drain to achieve a 16 1/2" rim height or less to ensure compliance.