

SPEAKMAN® SE-1050

Optimus™ Wall Mounted Eye and Face Wash Bowl

FEATURES:

- Independent eyewash & face wash integrated into one, multi-functioning safety unit
- Aerated sprays for eyewash comfort & innovative face pads for full face cleansing
- Flip top dust caps
- Stainless Steel bowl
- ½ in. NPT female brass, chrome-plated, full flow stay-open ball valve
- Stainless steel push handle activator
- ½ in. NPT female inlet
- Integral in-line strainer
- 4.9 gpm @ 30 psi
- Can be installed in either standard height or ADA configuration.
- 1 ¼ in. NPT female waste
- Patent Pending



FINISH:



DuraJade Stainless Steel

COMPLIANCE:

- Certified to ANSI/ISEA Z358.1
- Wheelchair accessible when installed accordingly

OPTIONS:

Add suffix to model #

- | | |
|--------------------------------|-------------------------------|
| • Anti-freeze protection valve | <input type="checkbox"/> -FPV |
| • Hand & foot operation | <input type="checkbox"/> -HFO |
| • Hand-held spray | <input type="checkbox"/> -HS |
| • In-line strainer | <input type="checkbox"/> -ILS |
| • P-trap | <input type="checkbox"/> -PT |
| • Scald protection valve | <input type="checkbox"/> -SPV |

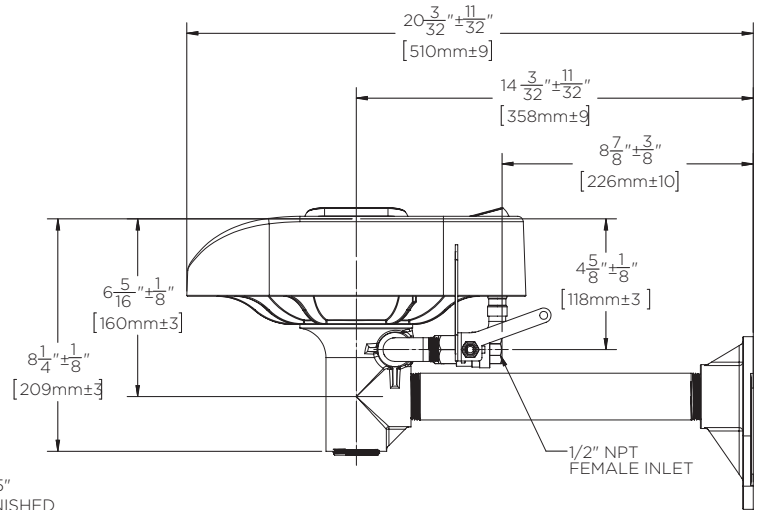
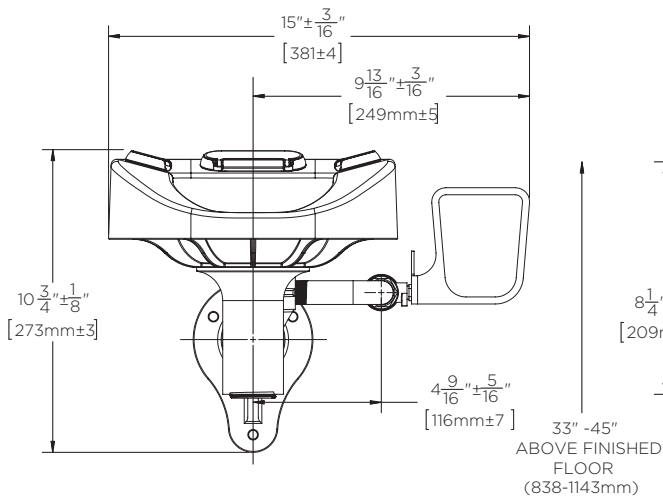
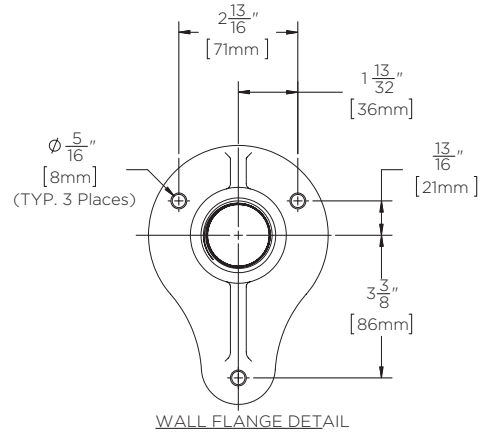
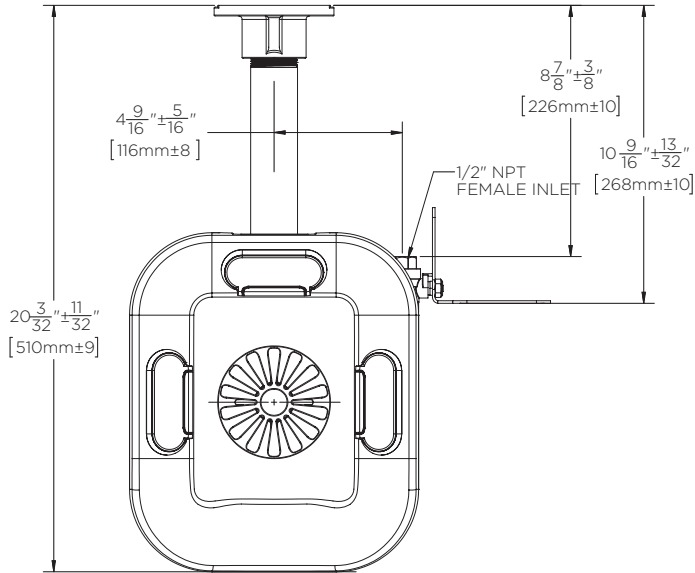
WARRANTY:

- 3 year limited

Architect/Engineer Approval Space:

SPEAKMAN
400 ANCHOR MILL ROAD
NEW CASTLE, DE 19720

P: 800-537-2107
F: 800-977-2747
W: WWW.SPEAKMAN.COM
R: MARCH 2017



36" (914mm) MAXIMUM ABOVE FINISHED FLOOR FOR ADA INSTALLED UNITS