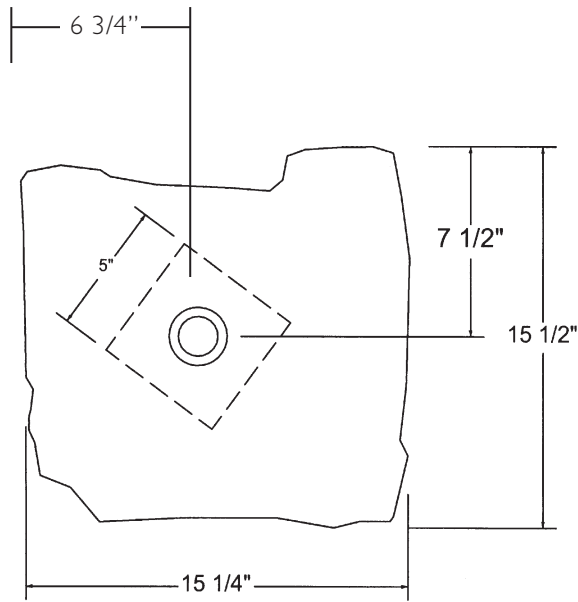
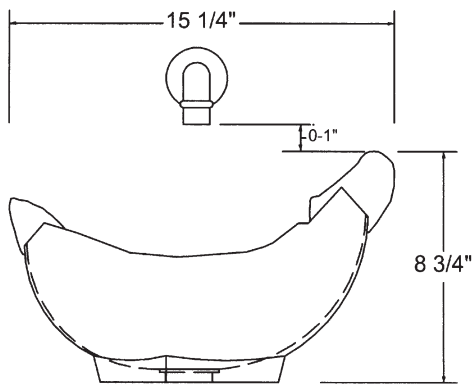


CP-II BRONZE CHALICE

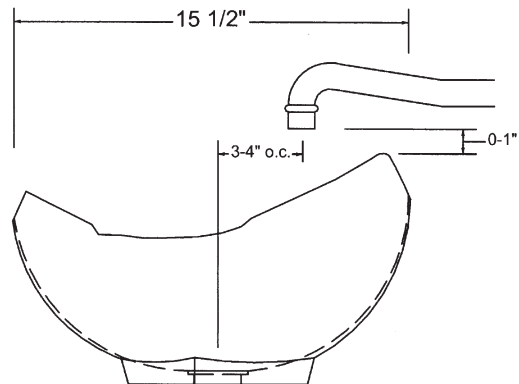
© 2004 STONE FOREST, INC.



TOP VIEW



FRONT VIEW



SIDE VIEW

Designed by Santa Fe Artist David Hoptman.

Sand Cast Bronze.

Finishes:

Golden Bronze (GB)

Weathered Bronze (WB)

White Bronze (WHT)

Required drain use 9054D Grid Drain. Drains are 1.25" NPT. This can be supplied by Stone Forest at your request in matching finishes.

Do not use pop-up drains

Stone Forest bronze sinks are hand patinated.

Expect variations in finish. Please refer to bronze care and maintenance in back of binder.

Approx 30 lbs.