

POLYETHYLENE CTS FULL CLAMP

» 551-P SERIES

PadLock™

ITEM # SUBMITTED	_____
JOB NAME	_____
LOCATION	_____
ENGINEER	_____
CONTRACTOR	_____
PO#	_____ TAG _____

SPECIFICATION

Sioux Chief 551-P series PadLock full clamp pipe hanger shall be used where necessary to secure 1/2" or 3/4" CTS supply lines in residential or commercial applications. Clamp shall be 100% corrosion proof and UV resistant. Clamp shall be impact resistant to 0°F, and be able to withstand continuous temperatures up to 160°F. Clamp shall include preloaded continuous ring shank nail or drill tip screw depending on model number. Nails and screws shall be zinc-plated to resist rust. Clamp shall be designed to protect tube from damage if nail is overdriven and designed so that there is no way for tube to escape. Hanger shall be compatible with CTS copper, PEX or CPVC tube.

INSTALLATION

Follow all national and local code hanger spacing requirements. Position clamp around tube. Secure to structure using nail or screw provided.

MATERIALS

- Body:** UV-resistant high density polyethylene
- Nail:** zinc-plated continuous ring shank
- Screw:** zinc-plated, pan-head Phillips with drill tip

SAFE WORKING LOAD

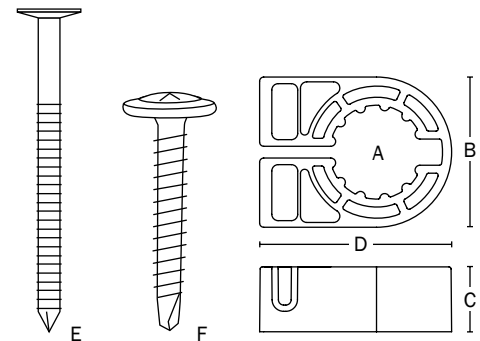
- 1/2" CTS clamp: 12 lbs.
- 3/4" CTS clamp: 16 lbs.

SAFE WORKING TEMPERATURE

Maximum temperature: 160°F (71°C) continuous
Impact resistance to 0°F (-18°C)

DIMENSIONS

	551-P2	551-P3
A: Tube size	1/2" CTS	3/4" CTS
B: Height	1 1/8"	1 1/2"
C: Width	3/8"	7/16"
D: Length	1"	1 3/8"
E: Nail	#6 × 1 7/8"	#8 × 2 3/8"
F: Screw	#6 × 1 3/4"	#6 × 2"



Made in USA

Create Item Number

551-PAB

e.g. **551-P2S:** 1/2" CTS PadLock with drill-tip screw

TUBE SIZE A

- 2 = 1/2" CTS
- 3 = 3/4" CTS

OTHER OPTION B

- _ = (leave blank) with preloaded nail
- S = with preloaded screw