



# SYMMONS® Ultra-Sense®

## Lavatory Faucet S-6080

Battery Powered, Sensor-Activated

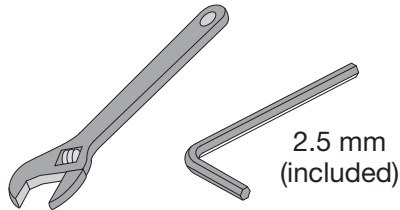
## Installation, Operation & Service Brief



### Model Numbers

- S-6080.....Sensor Faucet  
Faucet Part # SF-244
- S-6080-G...Sensor Faucet with  
grid strainer drain assembly

### Tools & Materials



### ☎ Need Help?

Symmons customer service:

(800) 796-6667, (781) 848-2250

Email: [customerservice@symmons.com](mailto:customerservice@symmons.com)

Monday - Friday 7:30 am - 7:00 pm EST

 [www.symmons.com/service](http://www.symmons.com/service)

- Technical help
- Product information
- Warranty policy

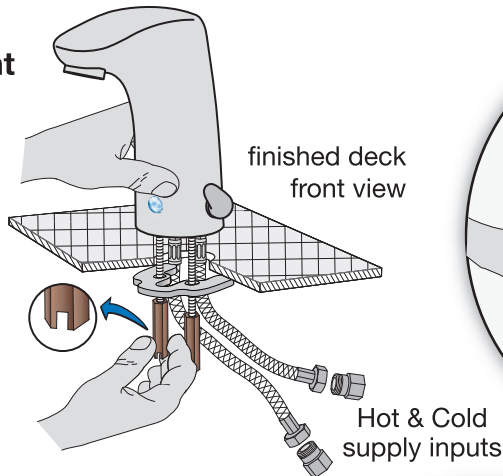


## Quick Install Guide Ultra-Sense Lavatory Faucet, S-6080

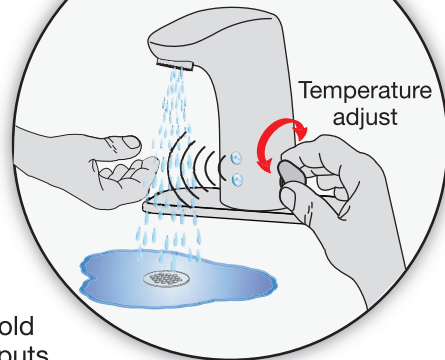
Faucet Part Number SF-244

### Single hole mount

- Step 1**  
Attach faucet  
to deck
- Step 2**  
Connect power and  
water supply lines
- Step 3**  
Test and check  
for leaks

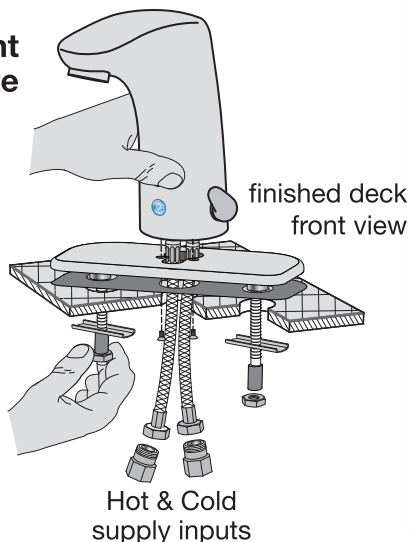


### Operation (sensor activated)



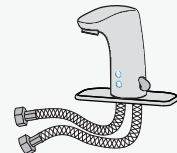
### Three hole mount with deck plate

- Step 1**  
Attach faucet and  
deck plate to deck
- Step 2**  
Connect power and  
water supply lines
- Step 3**  
Test and check  
for leaks

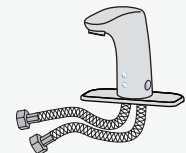


### Faucet supply configuration options

- 1) Temperature adjust  
using lever handle  
*(factory configured)*



- 2) Tempered water  
preset internally  
*(field modified)*



- 3) External premixed  
water supply with  
single supply input  
*(field modified)*

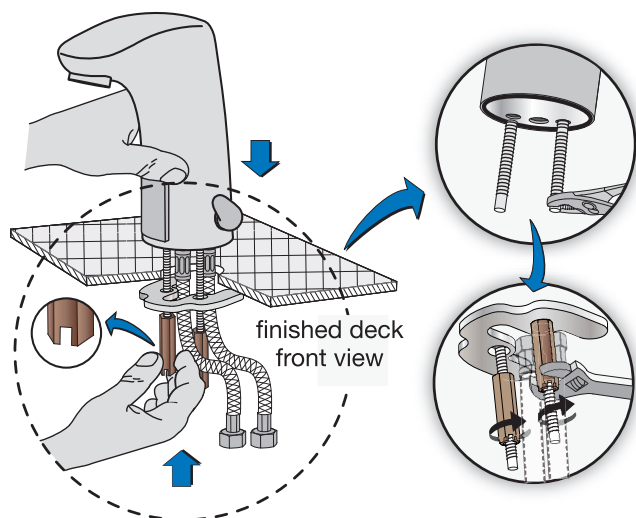


# Installation Instructions

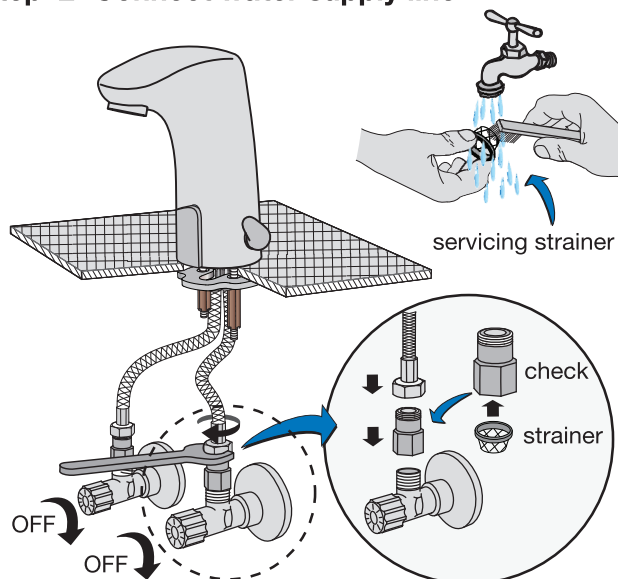
**Important!** Prior to connecting the water supply, ensure supply lines are flushed. Particles can clog filter and result in malfunction. Excessive particles from supply lines may require installing a separate efficient filter.

## Step 1 Attach faucet to deck (1 hole)

*Single hole mount without deck plate*



## Step 2 Connect water supply line



## Step 3 Modify faucet for preset tempered hot cold supply (Config option #2)

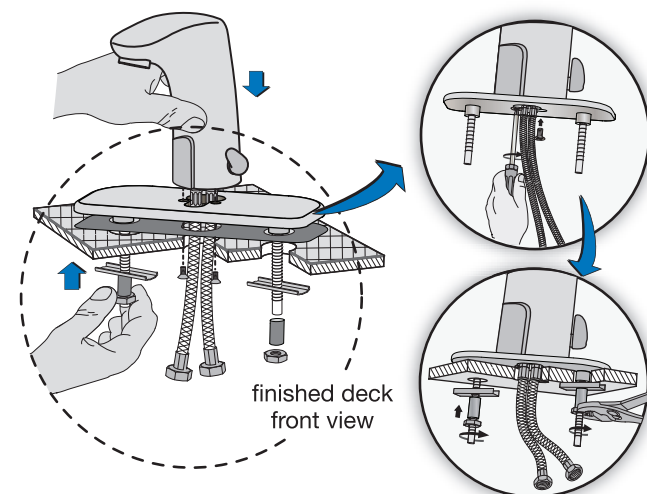
- Remove temperature control handle and limit stop.
- Re-insert handle to adjust supply temperature.
- Remove handle and replace with push plug.

## Step 4 Modify faucet for single supply with pre-mixed water (Config option #3)

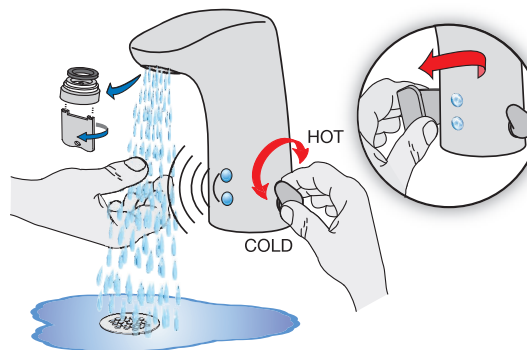
- Turn temperature control handle counter clockwise to the maximum cold position.
- Remove temperature control handle and replace with push in plug.
- Remove the flexible hot water supply hose from base of faucet. (Note: left hand thread)
- Screw plug in place of supply hose into base of faucet.
- Attach single cold supply hose to pre-mixed supply.

## Step 1 Attach faucet to deck (3 hole)

*Three hole mount with deck plate*



## Step 5 Test operation and check for leaks



## Limiting water temperature

### Using Temperature adjustment handle

- Remove temperature adjustment handle.
- Set maximum water temperature limit by turning handle limit stop clockwise (CW).
- Increase maximum water temperature by turning handle limit stop counter clockwise (CCW).
- Re-install temperature adjustment handle.

### Adjusting preset water temperature (config #2)

- Remove temperature adjustment handle plug.
- Adjust the maximum water temperature limit by inserting handle into faucet and turning counter clockwise (CCW).
- Increase temperature by turning handle clockwise (CW).
- Remove handle and re-install plug.

## Operation

### Sensor recognition range is factory preset at 1/2 - 4 inches

Place hand under faucet, water will flow automatically for 10 seconds and shut off.



### Auto shut-off time is factory preset at 1/2 to 1 second

Remove hands, water will stop automatically within 1/2 to 1 second.



### Security OFF after 10 seconds

Faucet will automatically shut off after continuous water flow for 10 seconds.



### Weak or dead battery

LED will flash to signal battery is getting weak and should be replaced soon.



## Faucet Repair

### ⚠ Replacing Solenoid Valve (p/n SF-240)

- Remove old o-ring from valve body before replacing solenoid valve. Replacement solenoid valve will come with new o-ring installed to allow proper seal and prevent leaking from valve body.

## Troubleshooting

### Sensor eye is blinking

- Indicates battery is weak and needs to be replaced.

### No water flow

- Check water supply to the faucet.
- Clean around photo cell sensor area.
- Check for loose battery connections.
- Replace the solenoid valve.
- Replace the sensor.

### Water flow is weak

- Water supply stops are not fully open.
- Clean aerator and check strainer on end of supply line(s). Excessive clogging may require installing of separate efficient filter into supply line.

### Water flow from spout fails to turn off

- Sensing range may be too low. Clean around photo cell sensor area.
- Clean solenoid valve membrane or replace solenoid valve.

### Water temperature can't be adjusted

- Clean the check strainer on end of supply line(s).
- Clean or replace the mixer.

## Faucet care

### Cleaning surface finish

- Block sensor with plastic cleaning cover to prevent faucet from turning on while cleaning.
- Clean finish area by using mild soap and water or non-abrasive cleaner and then rinse immediately. A non-abrasive wax may be used to preserve finish area.

### Precautions

- Ensure sensor is not damaged through impact or scratches.
- Ensure sensor is not blocked or disturbed by any object within its detection range.
- Ensure that no strong light source is aimed directly at sensor or through a mirror.

### Risk of Freezing

When installing the faucet in a location where the temperature may fall below freezing, the entire system must be drained of water to prevent damage in freezing weather.

- Turn off water supply.
- Disconnect all flexible hoses.
- Drain all parts and hoses of water.

# Dimensions Ultra-Sense Lavatory Faucet, S-6080

Model S-6080, p/n SF-244

### Note

- (1) Faucet shown with 4 inch centered deck plate.
- (2) Dimensions subject to change without notice.

Deck plate, 6" (152 mm)

Hole diameter  
1-5/16" - 1-3/8"  
(33 mm - 35 mm)  
1/4"-20 UNC  
4" (102 mm)

Strainer/adapters,  
3/8" compression

Temperature  
adjust

Deck plate  
2-1/2"  
(64 mm)

5-5/16"  
19° (135 mm)

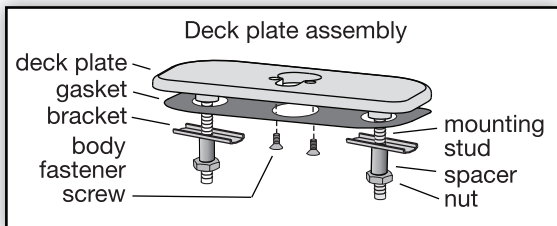
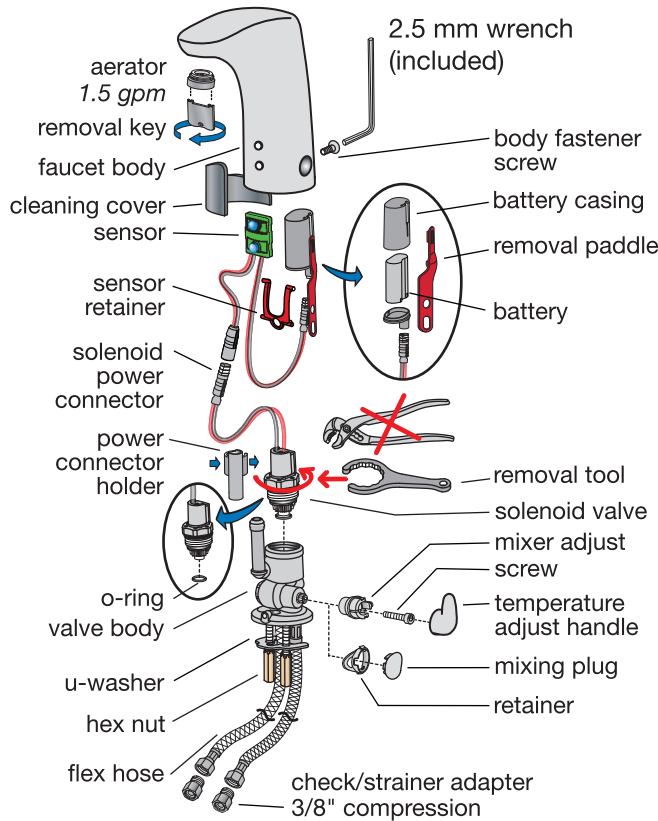
4-7/16"  
(112 mm)

19"  
(483 mm)

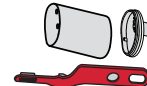

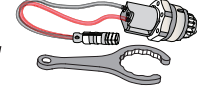


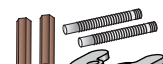

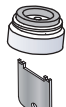
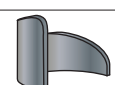
1/2" (13 mm)  
with spacer  
1-1/8" (29 mm)  
without spacer

# Parts Assembly Ultra-Sense Lavatory Faucet, S-6080

Faucet Part Number SF-244



## S-6080 Replacement Parts

Part Number	Item
SF-103	Battery casing with removal paddle 
SF-2CR5	6v lithium battery, 2CR5 
SF-240	Solenoid valve with removal tool 
SF-245	Sensor and retainer 
SF-186	Check / strainer kit for flex hose connections 
SF-158	Single hole mounting kit 
SF-125	Aerator, vandal resistant with removal key #LL-60K ■ 1.5 gpm (5.7 L/min) 
LN-100 LN-217	Non-aerated laminar flow vandal resistant spray outlet with removal key #LL-60K ■ 0.5 gpm (1.9 L/min) ■ 1.5 gpm (5.7 L/min) 
SF-163	Cleaning cover 

### Ordering replacement parts:

Call Symmons customer service at (800) 796-6667, (781) 848-2250 M-F 7:30 am - 7:00 pm EST or check our website at [www.symmons.com](http://www.symmons.com) for a list of Symmons distributors.