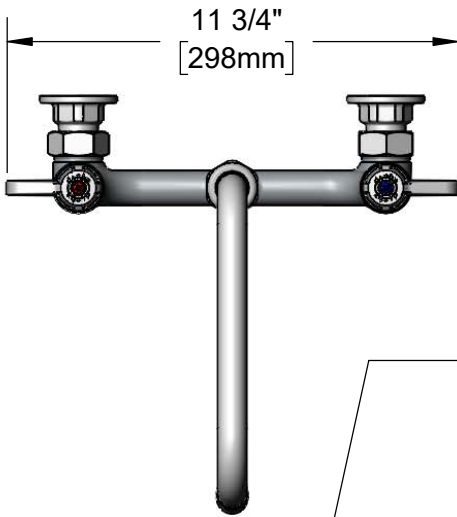




ADA Compliant



This Space for Architect/Engineer Approval

Job Name _____ Date _____

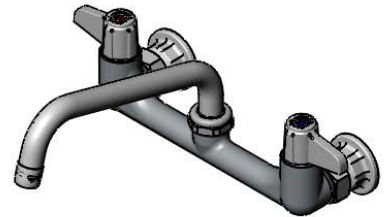
Model Specified _____ Quantity _____

Customer/Wholesaler _____

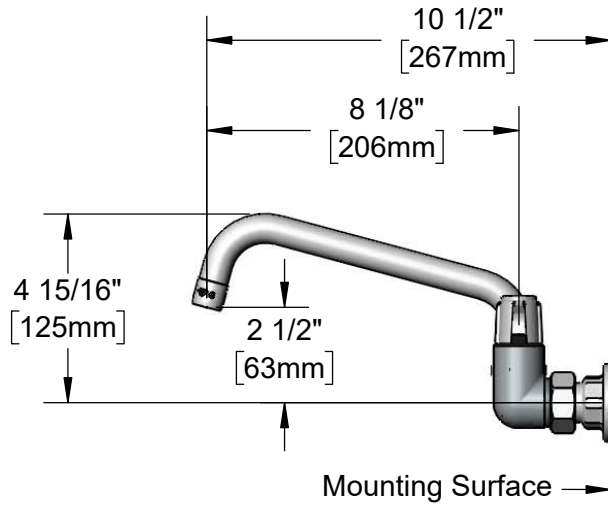
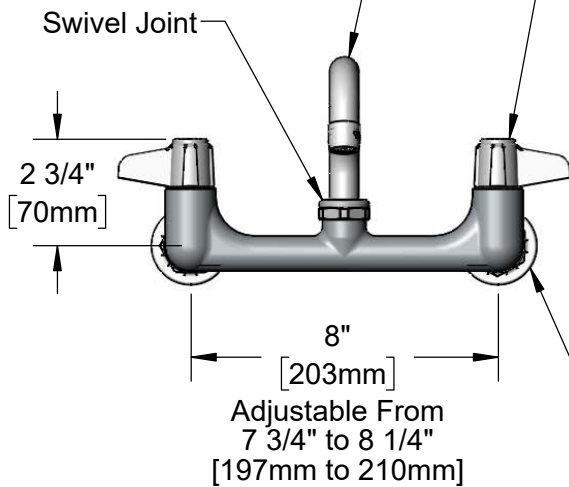
Contractor _____

Architect/Engineer _____

5SP-08
8" equip Swing Nozzle
w/ Laminar Flow Device.
Rigid Conversion Requires
014200-45 Lock Washer
(Sold Separately)

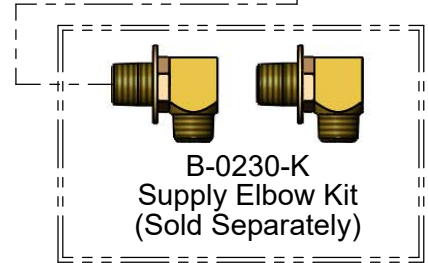


Quarter-Turn
Ceramic Cartridges &
equip Lever Handles
w/ Color Coded Screws



Ø 2" [51mm]
Flanges w/
1/2" NPT
Female Inlets

Mounting Surface



B-0230-K
Supply Elbow Kit
(Sold Separately)

Model Number

5F-8WLX08

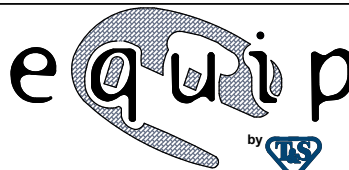
Product Specifications:

8" Wall Mount Mixing Faucet, Quarter-Turn Ceramic Cartridges, equip Lever Handles, 8" equip Swing Nozzle & 1/2" NPT Female Inlets

Product Compliance:

ASME A112.18.1 / CSA B125.1
NSF 61 - Section 9
NSF 372 (Low Lead Content)
ANSI A117.1 (ADA)

equip
Foodservice
Accessories



2 Saddleback Cove, P.O. Box 1088
Travelers Rest, South Carolina 29690
Phone: 800.891.4808 Fax: 800.868.0084
equip.tsbrass.com

Drawn: JRM

Checked: KJG

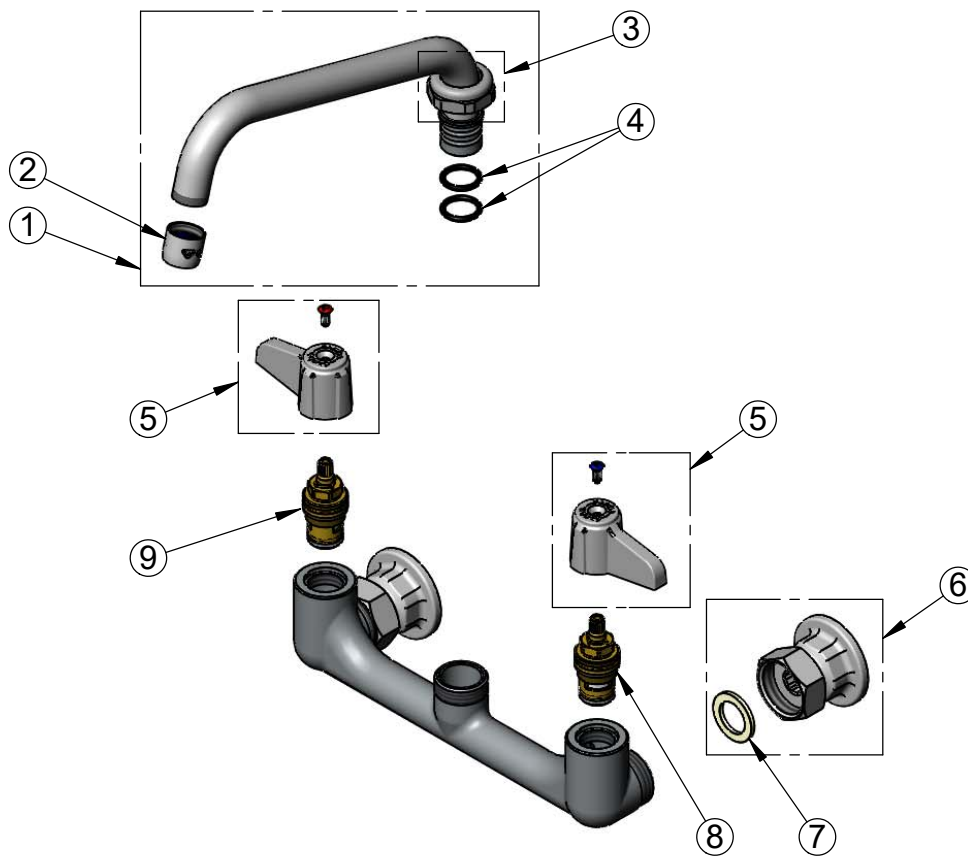
Approved: 09/17/19

Date: JHB

Scale: 1:4

Sheet: 1 of 2

ITEM NO.	SALES NO.	DESCRIPTION
1	5SP-08	8" equip Swing Nozzle
2	014250-45	Laminar Flow Device
3	013839-25	equip Swivel Nut
4	013848-45	equip Swivel Piece O-Ring
5	5-HDL-L	equip Lever Handle w/ Color Coded Screws
6	00AA	1/2" NPT Female Eccentric Flange
7	001019-45	Coupling Nut Washer
8	013788-45	equip Quarter-Turn Ceramic Cartridge, LTC
9	013787-45	equip Quarter-Turn Ceramic Cartridge, RTC



Model Number

5F-8WLX08

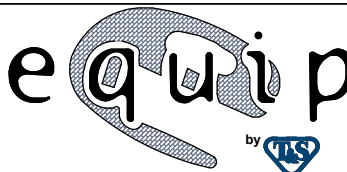
Product Specifications:

8" Wall Mount Mixing Faucet, Quarter-Turn Ceramic Cartridges, equip Lever Handles, 8" equip Swing Nozzle & 1/2" NPT Female Inlets

Product Compliance:

ASME A112.18.1 / CSA B125.1
NSF 61 - Section 9
NSF 372 (Low Lead Content)
ANSI A117.1 (ADA)

equip
Foodservice
Accessories



2 Saddleback Cove, P.O. Box 1088
Travelers Rest, South Carolina 29690
Phone: 800.891.4808 Fax: 800.868.0084
equip.tsbrass.com