



T&S BRASS AND BRONZE WORKS, INC.
 2 Saddleback Cove / P.O. Box 1088
 Travelers Rest, SC 29690

Model No.
B-0133-12WCRBCT

Item No.

Travelers Rest, SC: 800-476-4103 • Simi Valley, CA: 800-423-0150 • Fax: 864-834-3518 • www.tsbrass.com

This Space for Architect/Engineer Approval

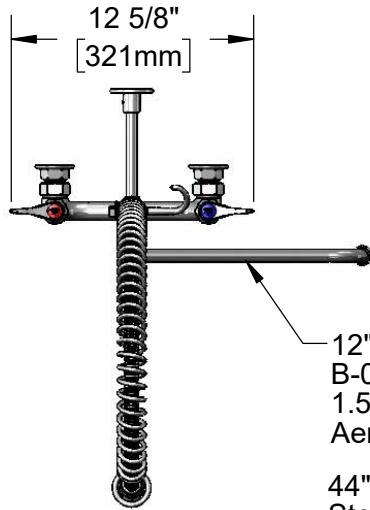
Job Name _____ Date _____

Model Specified _____ Quantity _____

Customer/Wholesaler _____

Contractor _____

Architect/Engineer _____



12" Swing Nozzle w/
 B-0199-06-WS
 1.5 GPM Vandal Resistant
 Aerator



44" Flexible Stainless
 Steel Hose w/ Spring
 & Spray Valve

B-TEE-RGD
 Tee for
 Accessory
 Fittings

Items Not Shown
 For Clarity

3/8" NPT x 18" Riser

Finger Hook

B-0107-C
 0.65 GPM
 Low Flow
 Spray Valve

EasyInstall
 Lock Nut
 & Bushing

12" [305mm]

12 1/16" [306mm]

8 7/8" [226mm]

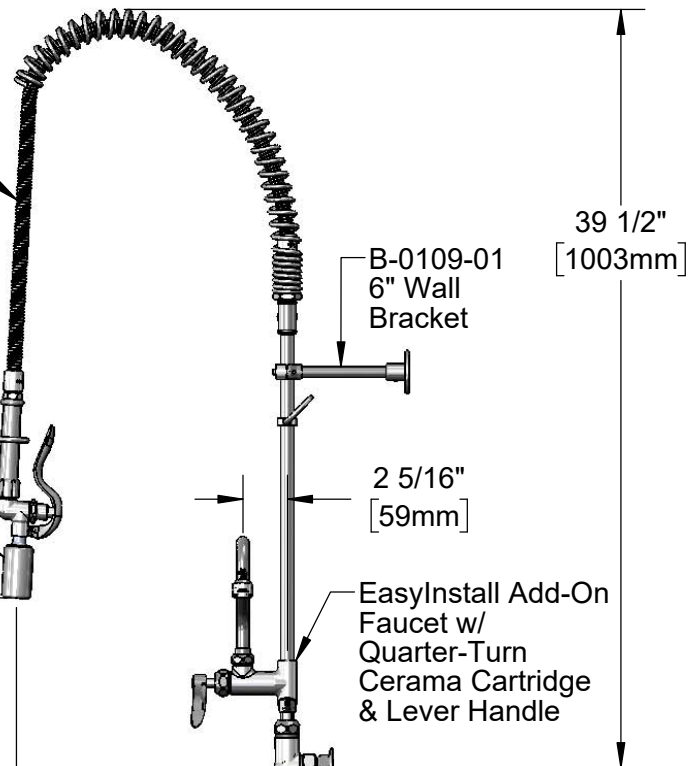
8 13/16" [225mm]

3 11/16" [93mm]

8" [203mm]

Adjustable From
 7 3/4" to 8 1/4"
 [197mm to 210mm]

Quarter-Turn
 Cerama Cartridges
 w/ Check Valves &
 Lever Handles w/
 Color Coded Indexes



39 1/2" [1003mm]

B-0109-01
 6" Wall
 Bracket

2 5/16" [59mm]

EasyInstall Add-On
 Faucet w/
 Quarter-Turn
 Cerama Cartridge
 & Lever Handle

14 1/8" [358mm]

Mounting
 Surface

Ø2" [51mm]
 Flanges w/
 1/2" NPT
 Female Inlets

Product Specifications:

Pre-Rinse Unit: EasyInstall 8" Wall Mount Mixing Faucet, Quarter-Turn Cerama Cartridges w/ Check Valves, Lever Handles, Add-On Faucet, 12" Swing Nozzle, VR 1.5 GPM Aerator, 44" Flexible Stainless Steel Hose, 0.65 GPM Low Flow Spray Valve, Accessory Fitting Tee, 6" Wall Bracket & 1/2" NPT Female Inlets

Product Compliance:

ASME A112.18.1 / CSA B125.1
 NSF 61 - Section 9
 NSF 372 (Low Lead Content)
 EPA Act 2005 (PRSV)
 EPA WaterSense (PRSV)



T&S BRASS AND BRONZE WORKS, INC.

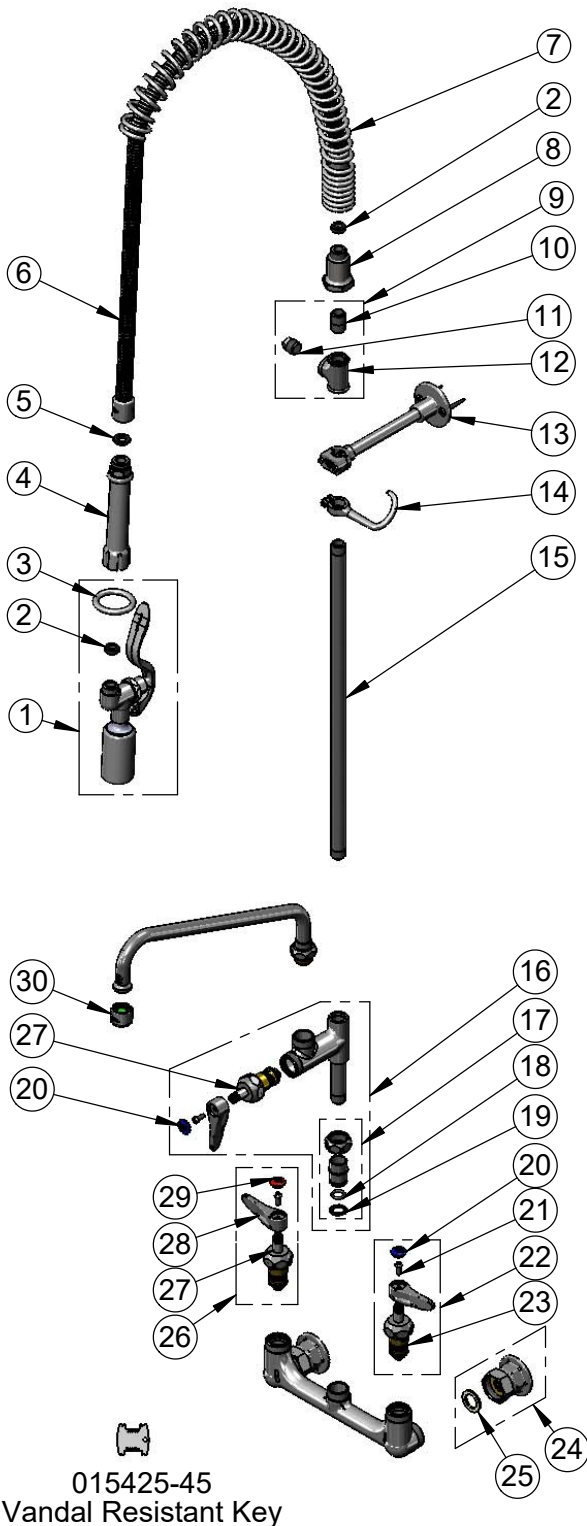
2 Saddleback Cove / P.O. Box 1088
Travelers Rest, SC 29690

Model No.

B-0133-12WCRBCT

Item No.

Travelers Rest, SC: 800-476-4103 • Simi Valley, CA: 800-423-0150 • Fax: 864-834-3518 • www.tsbrass.com



ITEM NO.	SALES NO.	DESCRIPTION
1	B-0107-C	0.65 GPM Low Flow Spray Valve
2	010476-45	#27 Washer
3	000907-45	Spray Valve Hold Down Ring
4	002987-40	Grip Handle
5	001014-45	Washer, B-0100 Hose Barrel
6	B-0044-H2A	44" Flexible Stainless Steel Hose, Less Handle
7	000888-45	EasyInstall Overhead Spring
8	000821-40	Spring Body
9	B-TEE-RGD	Rigid Tee for Accessory Fittings
10	002535-25	3/8" Close Nipple
11	002369-25	3/8" NPT Plug
12	001614-40	3/8" NPT Forged Tee
13	B-0109-01	6" Wall Bracket
14	004R	Finger Hook
15	000369-40	3/8" NPT x 18" Riser
16	B-0155-CR-LN	Add-On Faucet w/ Cerama Cartridge, RTC & Lever Handle, Less Nozzle
17	EZ-K	EasyInstall Kit: Nut, Bushing, O-ring & Lock Washer
18	001065-45	O-Ring
19	014200-45	Star Washer, Anti-Rotation
20	018506-19NS	Blue Button Index, Press-in
21	000925-45	Lab Handle Screw
22	012447-25	Quarter-Turn Cerama Cartridge, LTC w/ Check Valve, Handle, Index & Screw
23	012395-25	Quarter-Turn Cerama Cartridge, LTC w/ Check Valve
24	00AA	1/2" NPT Female Eccentric Flange
25	001019-45	Coupling Nut Washer
26	012446-25	Quarter-Turn Cerama Cartridge, RTC w/ Check Valve, Handle, Index & Screw
27	012394-25	Quarter-Turn Cerama Cartridge, RTC w/ Check Valve
28	001638-45NS	Lever Handle (New Style)
29	001193-19NS	Red Button Index, Press-in
30	B-0199-06-WS	VR 1.5 GPM Aerator, 55/64-27 UN Female w/ Key

015425-45
Vandal Resistant Key

Product Specifications:
Pre-Rinse Unit: EasyInstall 8" Wall Mount Mixing Faucet, Quarter-Turn Cerama Cartridges w/ Check Valves, Lever Handles, Add-On Faucet, 12" Swing Nozzle, VR 1.5 GPM Aerator, 44" Flexible Stainless Steel Hose, 0.65 GPM Low Flow Spray Valve, Accessory Fitting Tee, 6" Wall Bracket & 1/2" NPT Female Inlets

Product Compliance:
ASME A112.18.1 / CSA B125.1
NSF 61 - Section 9
NSF 372 (Low Lead Content)
EPA Act 2005 (PRSV)
EPA WaterSense (PRSV)