



T&S BRASS AND BRONZE WORKS, INC.

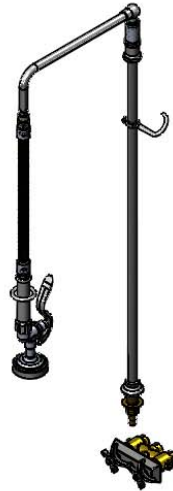
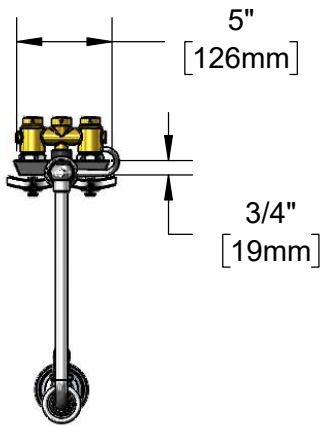
2 Saddleback Cove / P.O. Box 1088
Travelers Rest, SC 29690

Model No.

B-0141

Item No.

Travelers Rest, SC: 800-476-4103 • Simi Valley, CA: 800-423-0150 • Fax: 864-834-3518 • www.tsbrass.com



This Space for Architect/Engineer Approval

Job Name _____ Date _____

Model Specified _____ Quantity _____

Customer/Wholesaler _____

Contractor _____

Architect/Engineer _____

Items Not Shown For Clarity

Finger Hook

20" Flexible Stainless Steel Hose, Spring & Spray Valve

B-0107
1.15 GPM
Spray Valve

36 15/16"
[939mm]

3/8" NPT x 24"

Ø 1 11/16"
[43mm]
Rigid Deck Flange

7 13/16"
[199mm]

11 5/16"
[287mm]

Mounting Surface

1 11/16"
[44mm]

150A
Tailpiece & Nut
Furnished for
Optional 1/4" NPT
Connection

1 1/8"
[29mm]
Maximum
Thickness

4 15/16"
[126mm]

B-0512
Base Faucet w/ Eterna
Cartridges, 4-Arm
Handles & Color Coded
Indexes

Piping Supplied
By Customer

Rough-In Requirement:
Ø 1" [25mm] Mounting Hole

Product Specifications:

Pre-Rinse Unit: Single Hole Deck Mount Dummy Pre-Rinse and Remote Control Valve, Eterna Cartridges, 4-Arm Handles, 1.15 GPM Spray Valve, 32" Riser, 12" Overhead Swivel Arm & 1/2" NPT Female Inlets

Product Compliance:

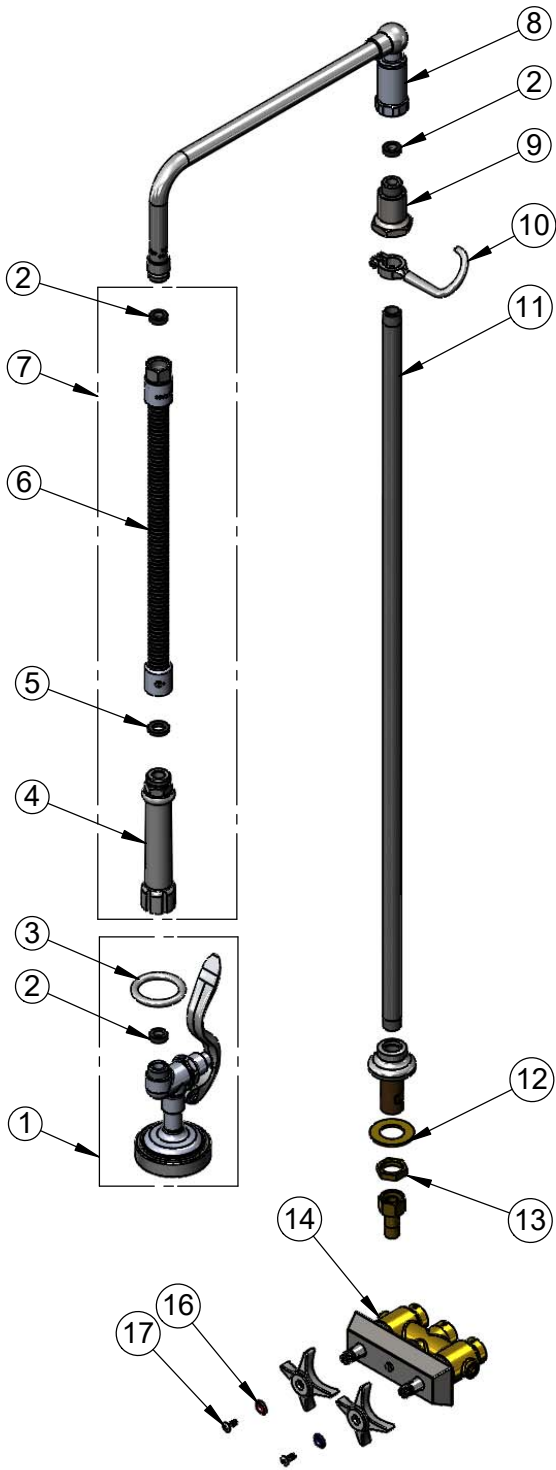
ASME A112.18.1 / CSA B125.1
NSF 61 - Section 9
NSF 372 (Low Lead Content)
2019 DOE PRSV - Class II



T&S BRASS AND BRONZE WORKS, INC.
 2 Saddleback Cove / P.O. Box 1088
 Travelers Rest, SC 29690

Model No.
B-0141
 Item No.

Travelers Rest, SC: 800-476-4103 • Simi Valley, CA: 800-423-0150 • Fax: 864-834-3518 • www.tsbrass.com



ITEM NO.	SALES NO.	DESCRIPTION
1	B-0107	1.15 GPM Spray Valve
2	010476-45	#27 Washer
3	000907-45	Spray Valve Hold Down Ring
4	002987-40	Grey Handle Grip
5	001014-45	Washer, B-0100 Hose Barrel
6	B-0020-H2A	20" Flexible Stainless Steel Hose, Less Handle
7	B-0020-H	20" Flexible Stainless Steel Hose
8	002882-40	12" Swivel L-Tube
9	000821-40	Spring Body
10	004R	Finger Hook
11	000376-40	3/8" NPT x 32" Riser
12	000999-45	Brass Lock Washer
13	002954-45	Shank Lock Nut
14	B-0512	Concealed Mixing Valve
15	002521-45	4-Arm Handle
16	001661-45	Red Index-HW
17	000922-45	Lever Handle Screw

Product Specifications:

Pre-Rinse Unit: Single Hole Deck Mount Dummy Pre-Rinse and Remote Control Valve, Eterna Cartridges, 4-Arm Handles, 1.15 GPM Spray Valve, 32" Riser, 12" Overhead Swivel Arm & 1/2" NPT Female Inlets

Product Compliance:

ASME A112.18.1 / CSA B125.1
 NSF 61 - Section 9
 NSF 372 (Low Lead Content)
 2019 DOE PRSV - Class II