



# T&S BRASS AND BRONZE WORKS, INC.

2 Saddleback Cove / P.O. Box 1088  
Travelers Rest, SC 29690

Model No.

**B-2851-133X-VR**

Item No.

Travelers Rest, SC: 800-476-4103 • Simi Valley, CA: 800-423-0150 • Fax: 864-834-3518 • www.tsbrass.com

This Space for Architect/Engineer Approval

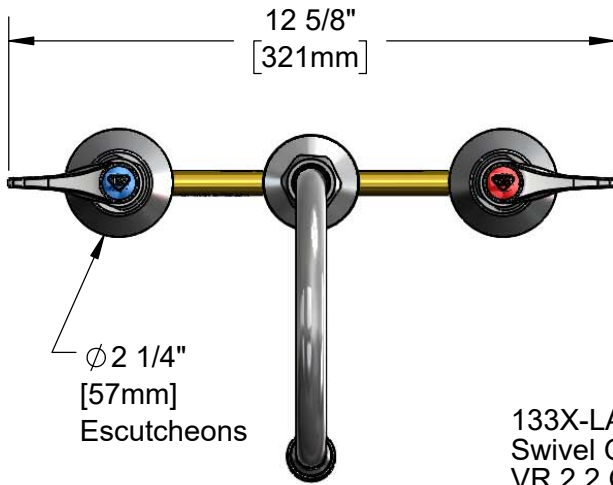
Job Name \_\_\_\_\_ Date \_\_\_\_\_

Model Specified \_\_\_\_\_ Quantity \_\_\_\_\_

Customer/Wholesaler \_\_\_\_\_

Contractor \_\_\_\_\_

Architect/Engineer \_\_\_\_\_



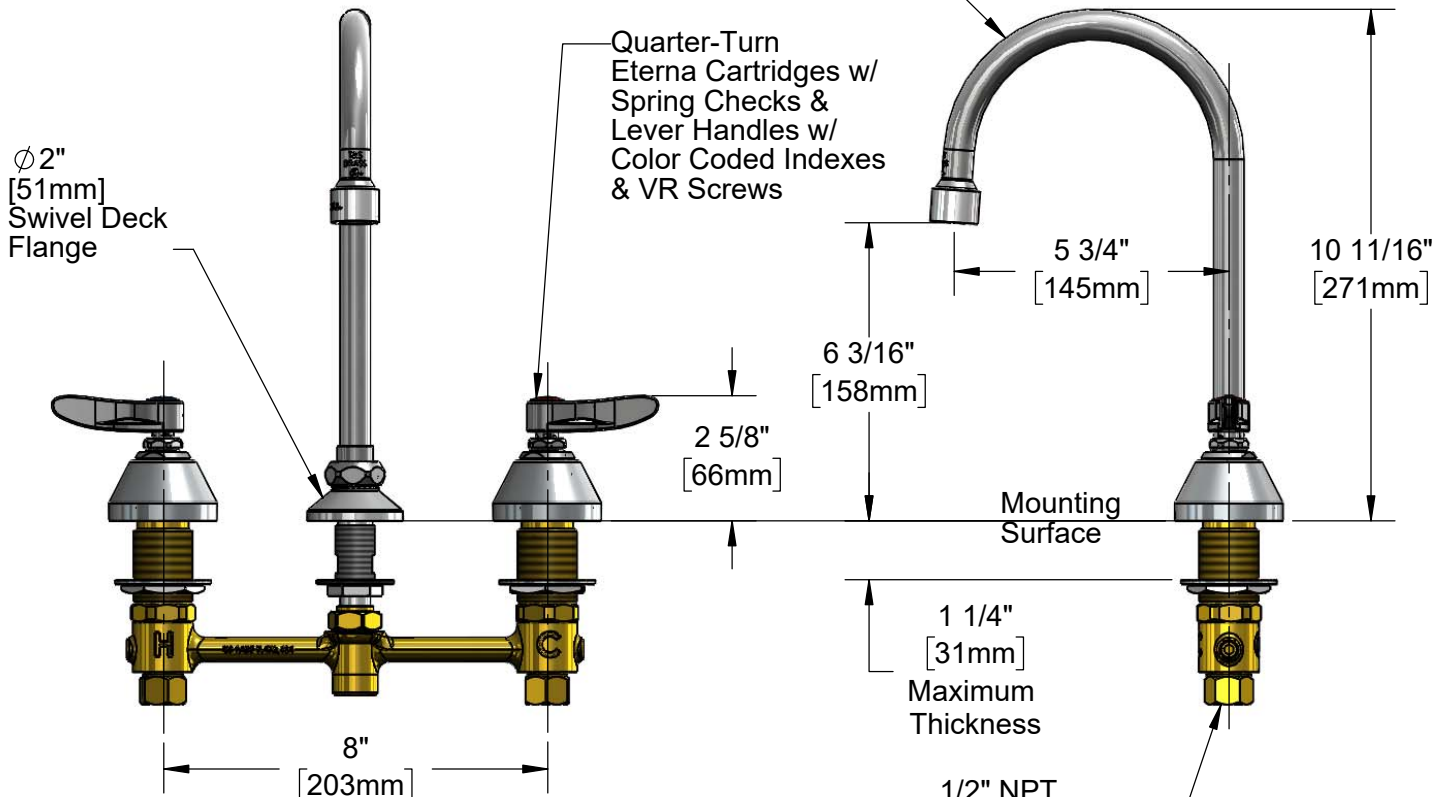
Ø 2 1/4"  
[57mm]  
Escutcheons



**ADA Compliant**



133X-LAM-VR  
Swivel Gooseneck w/  
VR 2.2 GPM  
Laminar Flow Device.  
Rigid Conversion Requires  
014200-45 Lock Washer  
(Included)



Ø 2"  
[51mm]  
Swivel Deck  
Flange

Quarter-Turn  
Eterna Cartridges w/  
Spring Checks &  
Lever Handles w/  
Color Coded Indexes  
& VR Screws

2 5/8"  
[66mm]

5 3/4"  
[145mm]

10 11/16"  
[271mm]

6 3/16"  
[158mm]

Mounting  
Surface

1 1/4"  
[31mm]  
Maximum  
Thickness

1/2" NPT  
Male Inlets w/  
Coupling Nuts

Rough-In Requirement:  
Center Shank: Ø 1" [25mm] Mounting Hole  
Hot/Cold Side: Ø 1 1/2" [38mm] Mounting Holes

### Product Specifications:

8" Concealed Widespread EasyInstall Mixing Faucet, Quarter-Turn Eterna Cartridges w/ Spring Checks, Lever Handles, VR Screws, Swivel/Rigid Gooseneck, VR 2.2 GPM Laminar Flow Device & 1/2" NPT Male Inlets

### Product Compliance:

ASME A112.18.1 / CSA B125.1  
NSF 61 - Section 9  
NSF 372 (Low Lead Content)  
ANSI A117.1 (ADA)



# T&S BRASS AND BRONZE WORKS, INC.

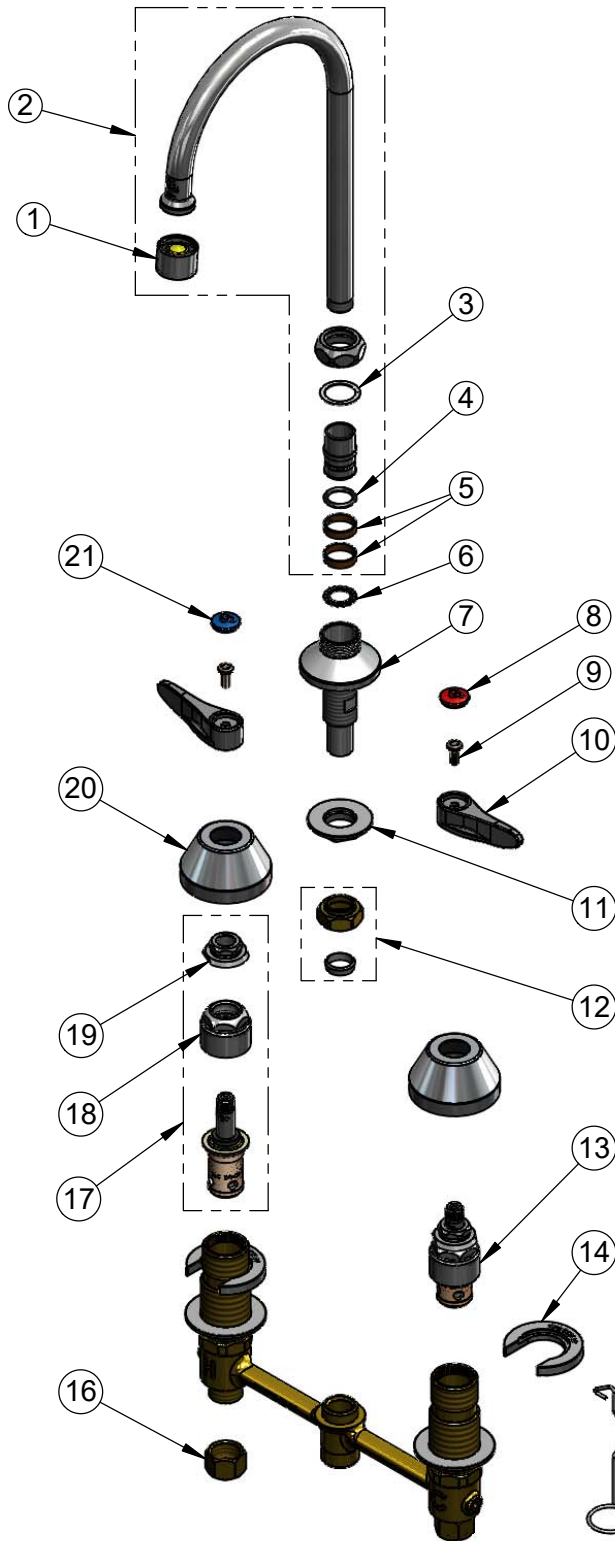
2 Saddleback Cove / P.O. Box 1088  
Travelers Rest, SC 29690

Model No.

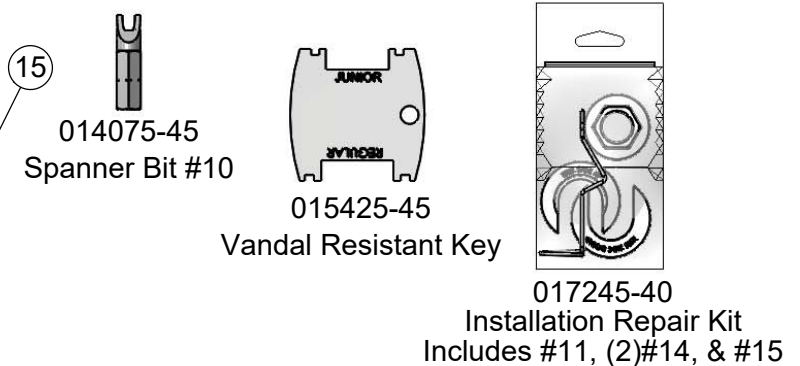
**B-2851-133X-VR**

Item No.

Travelers Rest, SC: 800-476-4103 • Simi Valley, CA: 800-423-0150 • Fax: 864-834-3518 • www.tsbrass.com



ITEM NO.	SALES NO.	DESCRIPTION
1	B-0199-21-VRF	VR Laminar Flow Device
2	133X-LAM-VR	5 3/4" Swivel Gooseneck w/ 2.2 GPM VR Laminar Flow Device
3	009538-45	Swivel Washer
4	001074-45	O-Ring
5	011429-45	Swivel Sleeves (2)
6	014200-45	Star Washer, Anti-Rotation
7	016754-40NS	EasyInstall CWS Swivel Center Shank
8	001193-19NS	Red Button Index, Press-in
9	VRS-2	VR Wrist Action Handle Screw (2) w/ Spanner Bit
10	001638-45NS	Lever Handle (New Style)
11	016742-45	Center Flange Nut
12	016745-45	Compression Nut & Fitting
13	016752-40NS	EasyInstall, CWS Quarter-Turn Eterna Cartridge w/ Spring Check, LTC
14	016749-45	Sidebody C-Washer
15	016777-45	CWS Hanger
16	000958-20	Coupling Nut
17	016753-40NS	EasyInstall, CWS Quarter-Turn Eterna Cartridge w/ Spring Check, RTC
18	016743-25	CWS Eterna Bonnet
19	009002-40NS	Packing Nut
20	001257-40NS	Bell Escutcheon
21	018506-19NS	Blue Button Index, Press-in
48	011430-25	Swivel Piece



**Product Specifications:**

8" Concealed Widespread EasyInstall Mixing Faucet, Quarter-Turn Eterna Cartridges w/ Spring Checks, Lever Handles, VR Screws, Swivel/Rigid Gooseneck, VR 2.2 GPM Laminar Flow Device & 1/2" NPT Male Inlets

**Product Compliance:**

ASME A112.18.1 / CSA B125.1  
NSF 61 - Section 9  
NSF 372 (Low Lead Content)  
ANSI A117.1 (ADA)