



# T&S BRASS AND BRONZE WORKS, INC.

2 Saddleback Cove / P.O. Box 1088  
Travelers Rest, SC 29690

Model No.

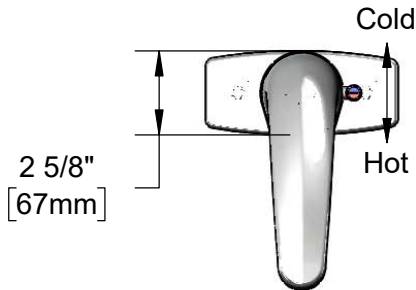
**EC-3132-4DP**

Item No.

Travelers Rest, SC: 800-476-4103 • Simi Valley, CA: 800-423-0150 • Fax: 864-834-3518 • www.tsbrass.com



**ADA Compliant**



2 5/8"  
[67mm]

Cold

Hot

This Space for Architect/Engineer Approval

Job Name \_\_\_\_\_ Date \_\_\_\_\_

Model Specified \_\_\_\_\_ Quantity \_\_\_\_\_

Customer/Wholesaler \_\_\_\_\_

Contractor \_\_\_\_\_

Architect/Engineer \_\_\_\_\_

Internal Above Deck  
Electronics w/ Flow  
Control Setting Switches.  
Powered w/ 6 VDC  
Lithium Battery.

Polished Chrome  
Plated Deck Plate  
w/ Deck Gasket

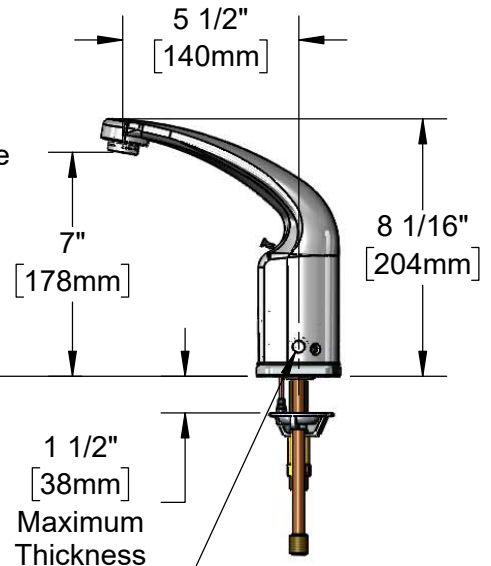
Cast Spout w/  
2.2 GPM [8.3 L/min]  
Vandal Resistant  
Aerator

Temperature Mixing Handle  
w/ Color Coded Index  
(Optional Plug Included to  
Replace Handle When  
Temperature is Preset)

Mounting  
Surface

6"  
[152mm]

4"  
[102mm]



5 1/2"  
[140mm]

7"  
[178mm]

8 1/16"  
[204mm]

1 1/2"  
[38mm]  
Maximum  
Thickness

Shown w/ Optional  
Plug Installed When  
Water Temperature  
is Preset (Included)



Optional 100-240 VAC  
Adapter w/ 71" [1800mm]  
Power Cord

19" [483mm] Flexible  
Stainless Steel Supply  
Hoses

1/2" NPSM Swivel Ends  
w/ Filter Washers

Check Valve Adapters  
w/ 3/8" Compression  
(9/16-24 UN) Inlets

**Rough-In Requirement:**  
Ø 1 1/4" [32mm] Center Mounting Hole  
(2) Ø 1 1/8" [29mm] Side Mounting Holes

**Product Specifications:**

Chrome Plated Brass Above Deck Electronics Faucet, Deck Mount, 4" c/c Deck Plate, Integral Cast Spout w/ 2.2 GPM VR Aerator, Point-of-Use Temperature Control, Battery or AC Adapter Powered, 19" Stainless Steel Flexible Supply Lines & 3/8" Compression Inlets

**Product Compliance:**

ASME A112.18.1 / CSA B125.1  
NSF 61 - Section 9  
NSF 372 (Low Lead Content)  
ANSI A117.1 (ADA)  
UL 1951



# T&S BRASS AND BRONZE WORKS, INC.

2 Saddleback Cove / P.O. Box 1088  
Travelers Rest, SC 29690

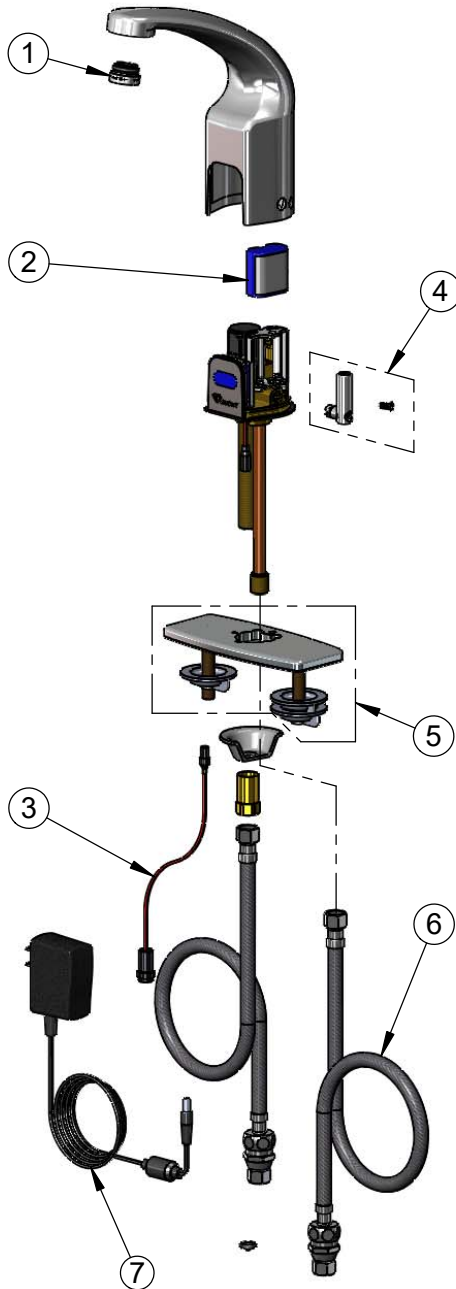
Model No.

**EC-3132-4DP**

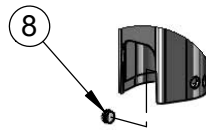
Item No.

Travelers Rest, SC: 800-476-4103 • Simi Valley, CA: 800-423-0150 • Fax: 864-834-3518 • www.tsbrass.com

ITEM NO.	SALES NO.	DESCRIPTION
1	B-0199-08	VR 2.2 GPM Aerator, 13/16-27 UN Male w/ Key
2	019087-45	6VDC Lithium Battery, CR-P2
3	019088-45	Auxiliary Power Connector Cable
4	019082-45	Lever Asm & Body Screw Kit w/ L-Key
5	013433-40	4" Universal Deck Plate, Gasket & Mounting Hardware
6	018544-45	Flexible Stainless Steel Hose w/ Check Valve Adapter
7	5EF-0002	A/C Transformer
8	019086-45	Body Plug, Pre-Set Temperature



A maximum of (8) ChekPoint faucets can be powered by EC-HARDWIRE ChekPoint Hardwire AC Transformer when connected using EC-ADEWIRE cables. (Both sold separately)



Optional Plug Replaces Lever Handle When Pre-setting Temperature (Installs from Inside of Body)

015425-45  
VR Aerator Key

018543-45  
Torx T-20 VR L-Key

Flow Control Switches are Located Behind the Sensor.  
Remove Battery to Access Switches.

\* Switches are set to DEFAULT position:

- Auto Time Out = 15 seconds
- Shut Off Delay = 1 second
- Auto Flush = OFF

\* Available Water Flow Control Selections:

- Auto Time Out: 15 sec, 30 sec, 45 sec, 60 sec, 3 min, 20 min
- Shut Off Delay: 1 sec, 10 sec, 15 sec, 30 sec
- Auto Flush (30 Seconds After Every 12 Inactive Hours): ON or OFF

**Product Specifications:**

Chrome Plated Brass Above Deck Electronics Faucet, Deck Mount, 4" c/c Deck Plate, Integral Cast Spout w/ 2.2 GPM VR Aerator, Point-of-Use Temperature Control, Battery or AC Adapter Powered, 19" Stainless Steel Flexible Supply Lines & 3/8" Compression Inlets

**Product Compliance:**

ASME A112.18.1 / CSA B125.1  
NSF 61 - Section 9  
NSF 372 (Low Lead Content)  
ANSI A117.1 (ADA)  
UL 1951